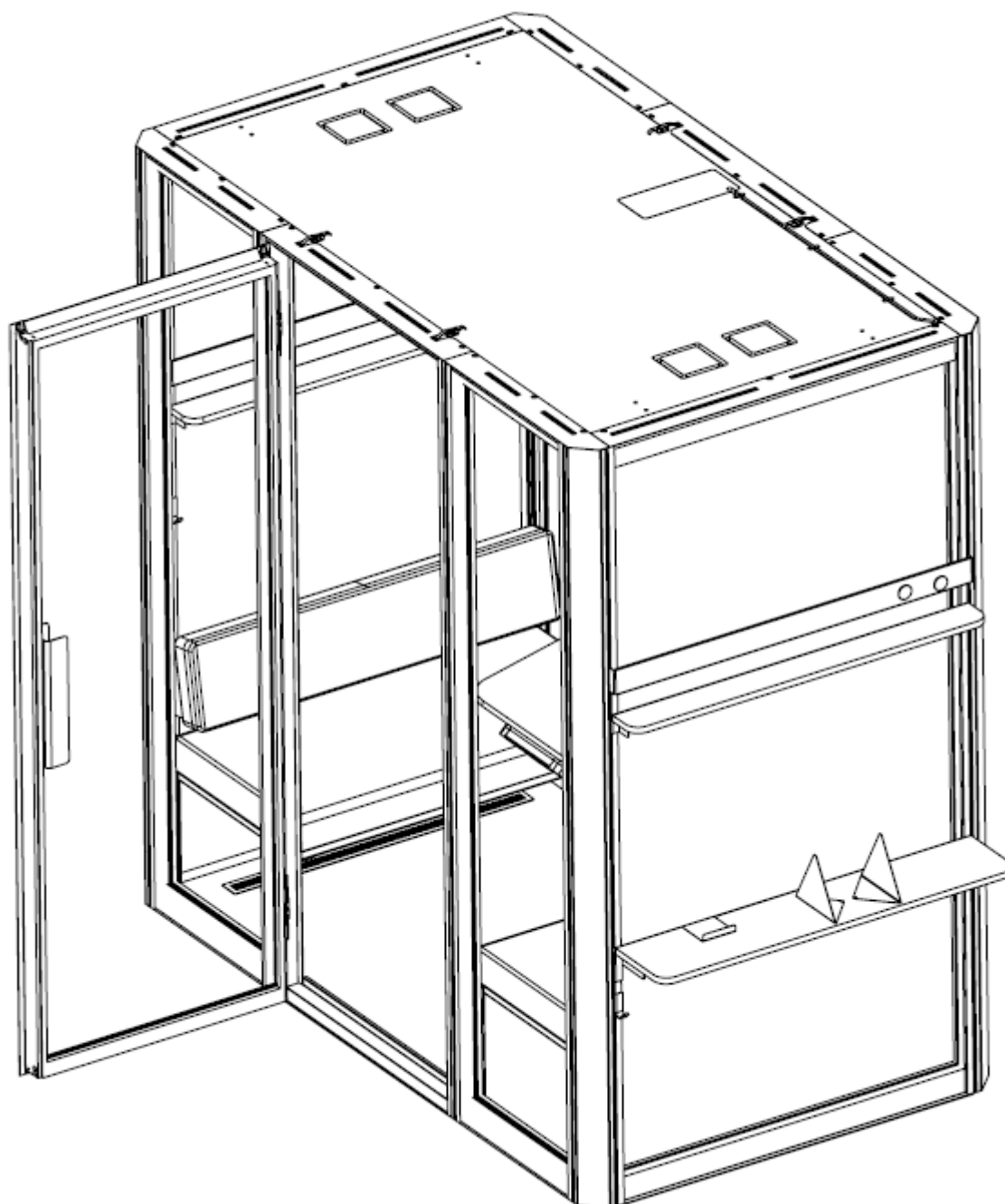
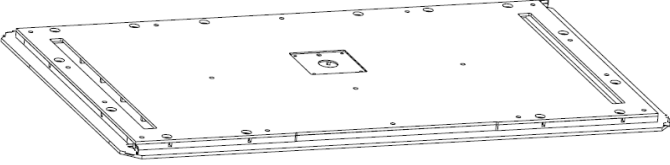
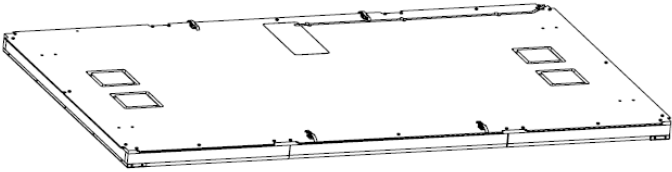
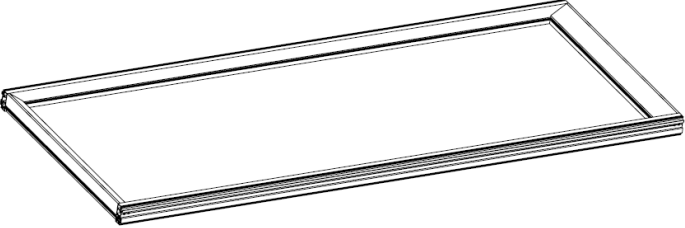
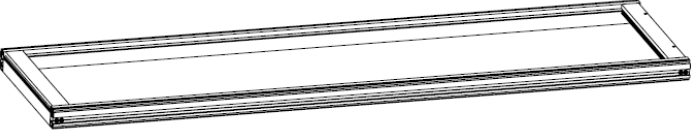
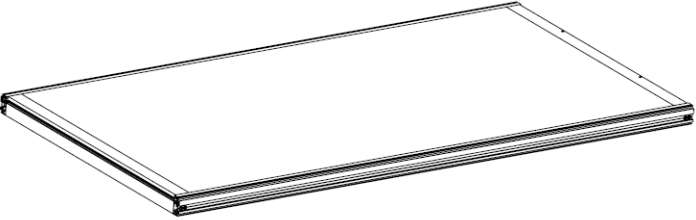
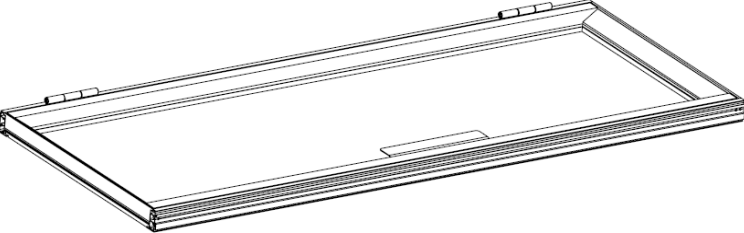
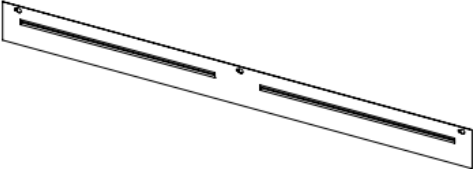
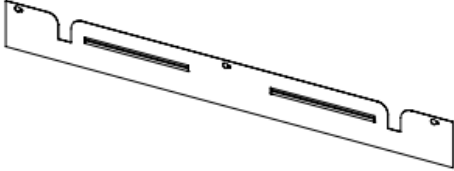
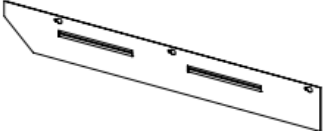
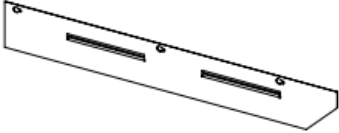
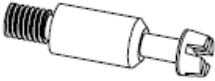
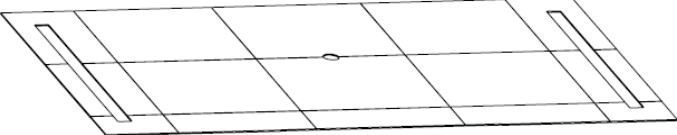
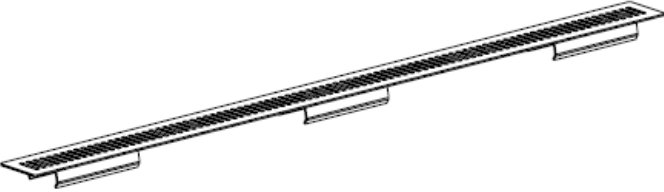





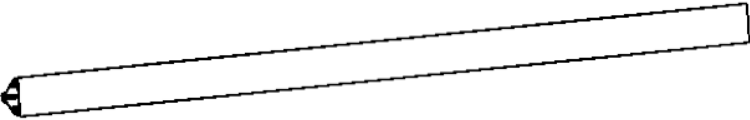
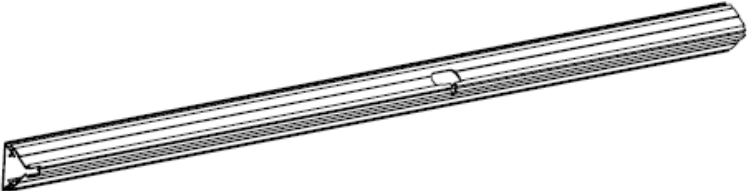
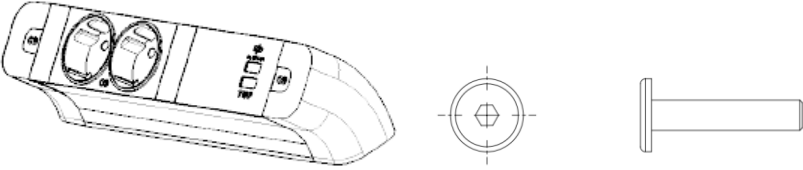
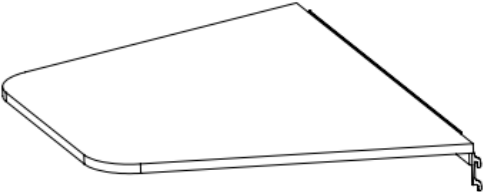
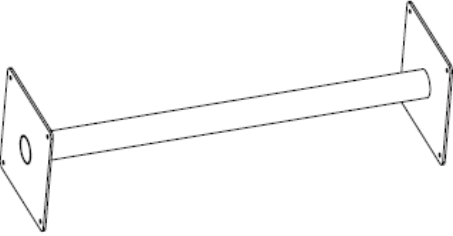
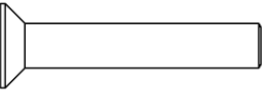
**Assembly instructions**  
**Jetson L4**  
**version from 10/01/2023**

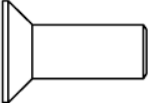


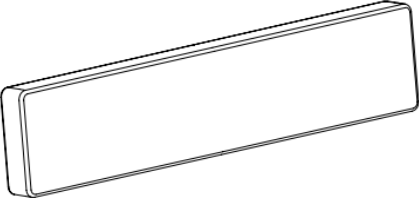


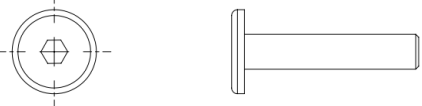
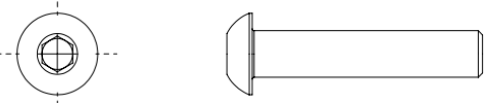



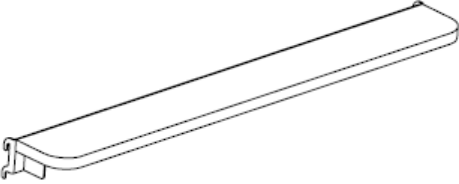
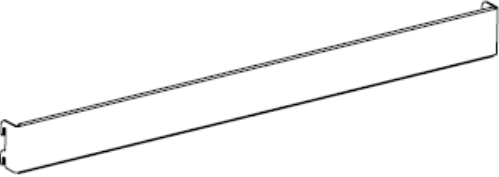

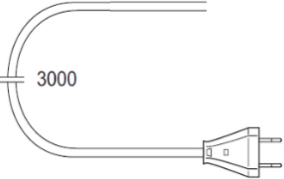
## ELEMENTS INCLUDED IN THE KIT:

<p>BIT WRENCH- 1 PIECE. ALLEN BIT 6 - 1 PIECE FOR ECCENTRICS ALLEN BIT 4 - 1 PIECE FOR FEET ALLEN BIT 2,5 - 1 PIECE FOR HINGES</p>	
	FLOOR – 1 PCS.
	CEILING – 1 PCS.
	WIDE GLASS WALL – 1 PCS.
	NARROW GLASS WALL – 4 PCS.
	SOLID WALL – 2 PCS.
	DOOR WITH THE FRAME – 1 PCS.

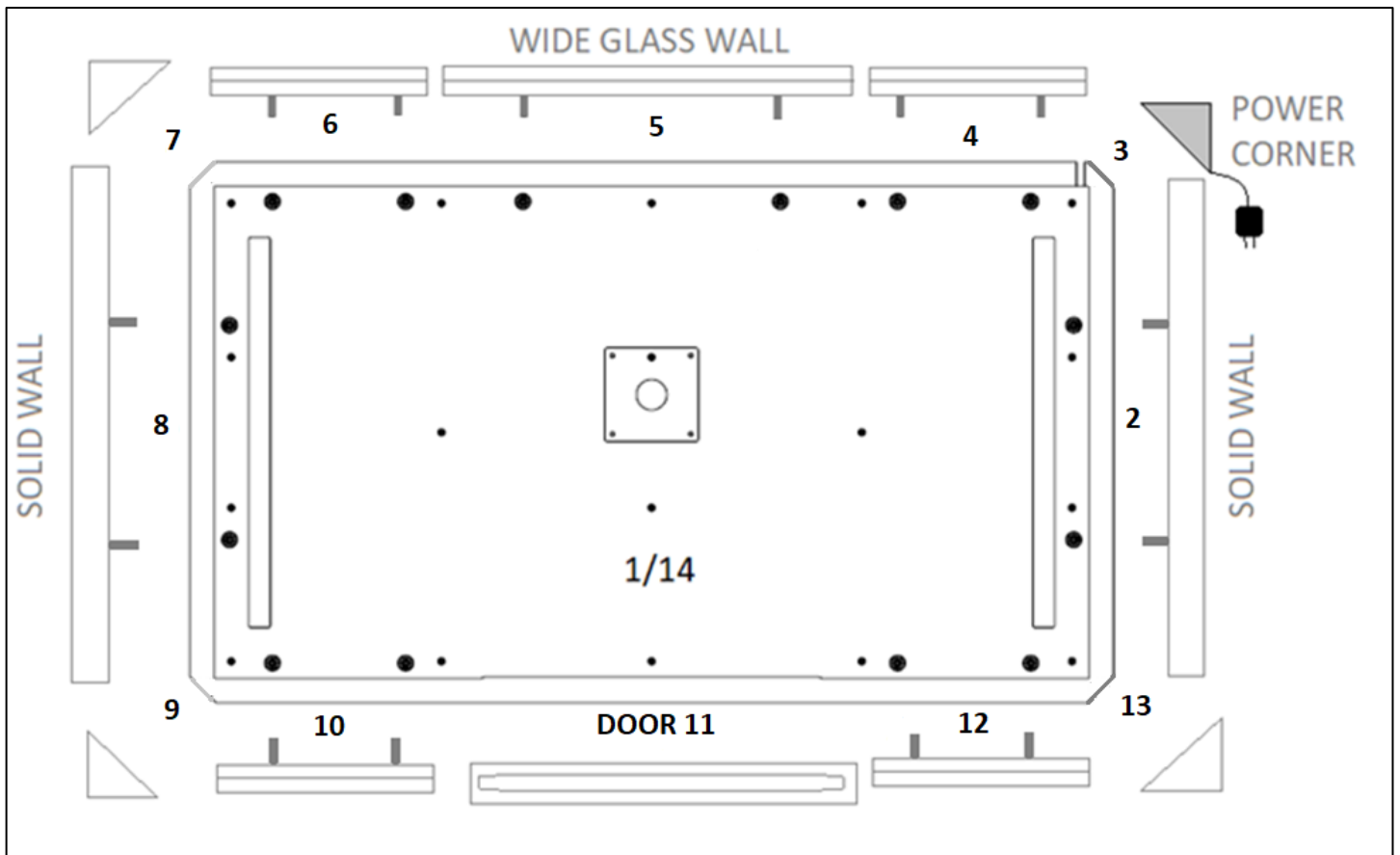
	<p>CEILING SHEETS SIDE – 2 PCS.</p>
	<p>CEILING SHEETS FRONT/BACK MIDDLE – 2 PCS.</p>
	<p>CEILING SHEETS FRONT/BACK RIGHT – 2 PCS.</p>
	<p>CEILING SHEETS FRONT/BACK LEFT – 2 PCS.</p>
	<p>PIN – 14 PCS.</p>
	<p>CARPET – CONSISTS OF 17 PARTS</p>
	<p>FLOOR VENTILATION STRIP – 2 PCS.</p>
	<p>PROFILE H – 16 PCS.</p>

	<p>PROFILE T (SHORTER FOR INSIDE) – 4 PCS.</p>
	<p>PROFIL T (LONGER FOR OUTSIDE) – 12 PCS.</p>
	<p>CORNER – 3 PCS.</p>
	<p>POWER CORNER – 1 PCS.</p>
	<p>MEDIA PORT WITH MOUNTING SYSTEM (SCREWS M6X14 – 3 PCS., HANDLE – PCS.)</p>
	<p>TABLETOP – 1 PCS.</p>
	<p>LEG FOR TABLETOP – 1 PCS.</p>
	<p>SCREW FOR TABLE M6X35 – 4 PCS.</p>

	<p>SCREW M6x16 – 7 PCS.</p>
	<p>SOFA-SEAT – 2 PCS.</p>
	<p>SOFA – FRAME LEFT 2 PCS RIGHT – 2 PCS.</p>
	<p>SOFA – BACKREST – 2 PCS.</p>
	<p>LEFT BACKREST ANGLE – 2 PCS.</p>
	<p>RIGHT BACKREST ANGLE – 2 PCS.</p>
	<p>SCREW FOR MOUNTING THE BACKREST M6 x 25 – 12 PCS.</p>
	<p>SCREW TO SECURE SEAT POSITION ON THE FRAME M6 x 30 – 8 PCS.</p>

	<p>WALL HOOK – 1 PCS.</p>
	<p>SHALLOW SHELF – 1 PCS.</p>
	<p>DISPLAY RAIL– 1 PCS.</p>
	<p>MAGNET – 1 PCS.</p>
	<p>POWER CORD – 3 METERS</p>

The assembly requires 2 people and the included allen key.  
 A spirit level and ladder will also be useful.



Order of assembly of elements:

1. Floor
2. Solid wall
3. Supply corner
4. Narrow glass wall
5. Wide glass wall
6. Narrow glass wall
7. Corner
8. Solid wall
9. Corner
10. Narrow glass wall
11. Door with frame
12. Narrow glass wall
13. Corner
14. Ceiling
15. Power cords in the ceiling
16. Ceiling brackets and covers
17. Tabletop and media port
18. Carpet and the floor ventilation strips
19. Sofas and interior fittings
20. Optional:
  - i. Library set
  - ii. Note set

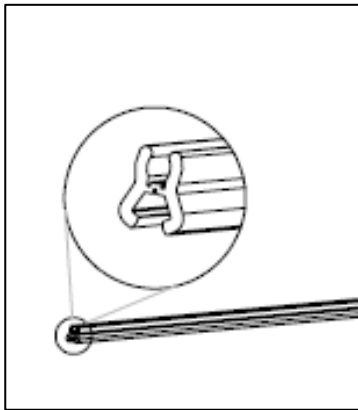
## The no-tool wall connecting system:

1. Put the two pieces together (wall-to-wall, wall-to-corner).
2. Take the plastic H-profile, press it with its wider side into the gap between the profiles, starting from the bottom.
3. Take the T-profile in aluminium, press it into the H-profile starting from the bottom.
4. Make sure the T-profile fits flush with the top and bottom of the pod.

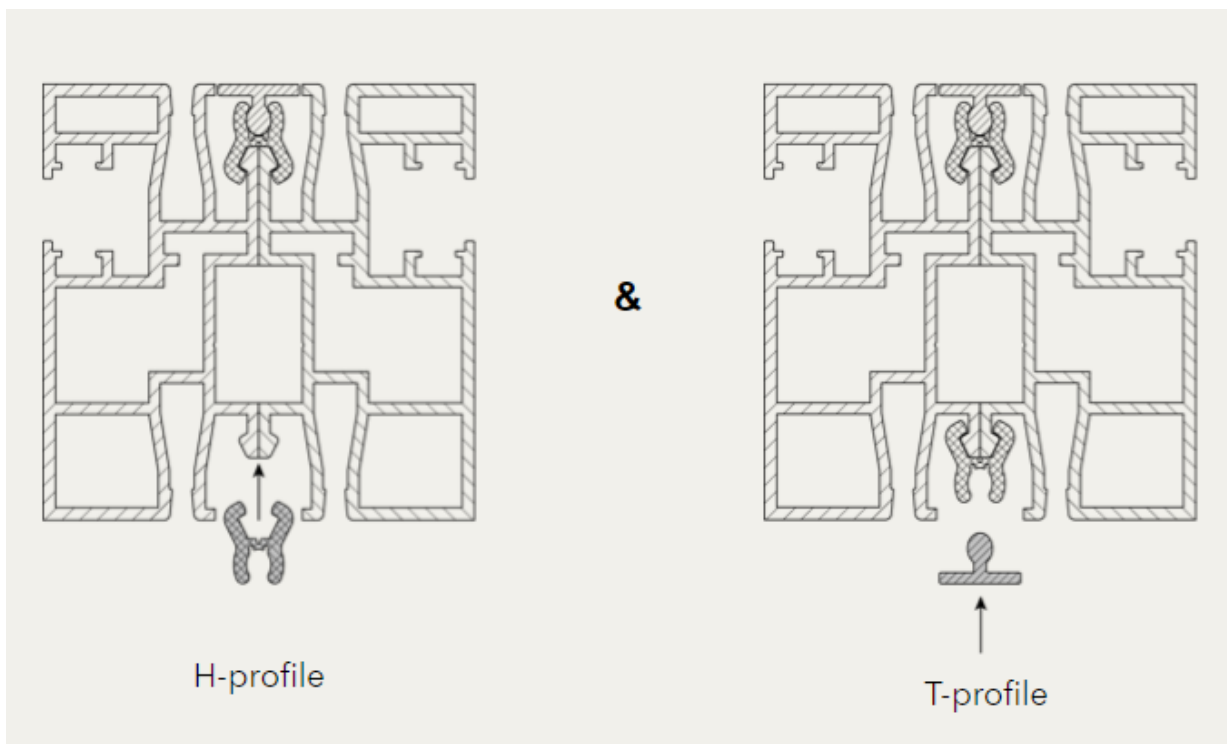
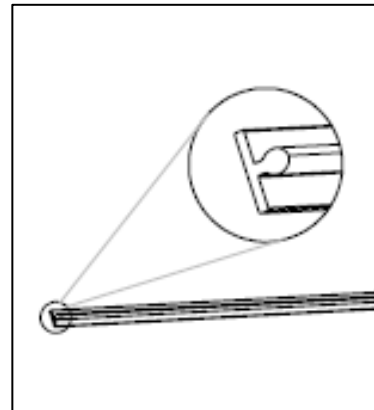
**NOTE:** In case of longitudinal damage (crack or breakage) of the H-profile made of plastic, cut off the damaged section to prevent the progression of the crack. H-profile shortened or divided into parts still performs its function.

If the H-profile is completely destroyed or missing, there is a spare H-profile inside the power corner.

**Profil H**



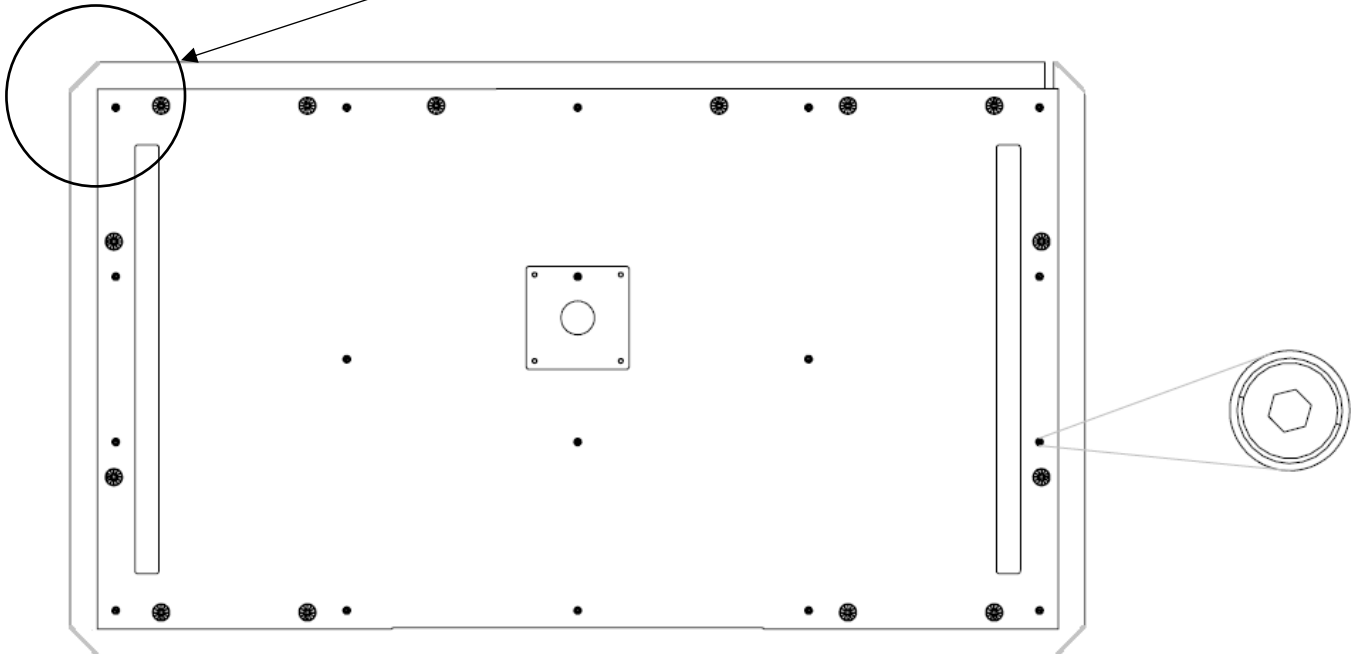
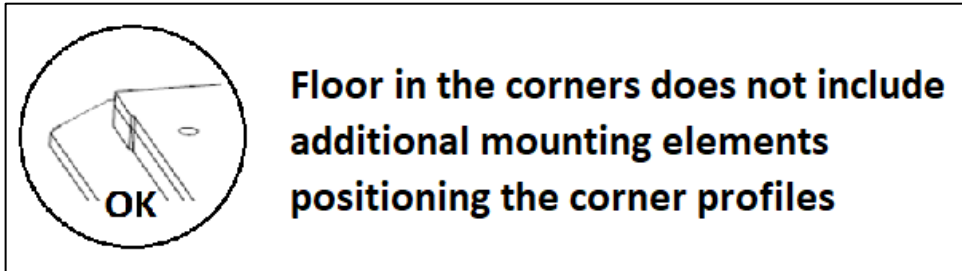
**Profil T**





## Step 1 – floor layout and adjustment

Remove the floor from the cardboard box and place it in the target location. Pay attention to the position of the door. Check the level of the floor (use a level), and that all the footings rest on the floor, if necessary, correct the adjusting screws (18 pcs). To level the floor, use the allen key included.

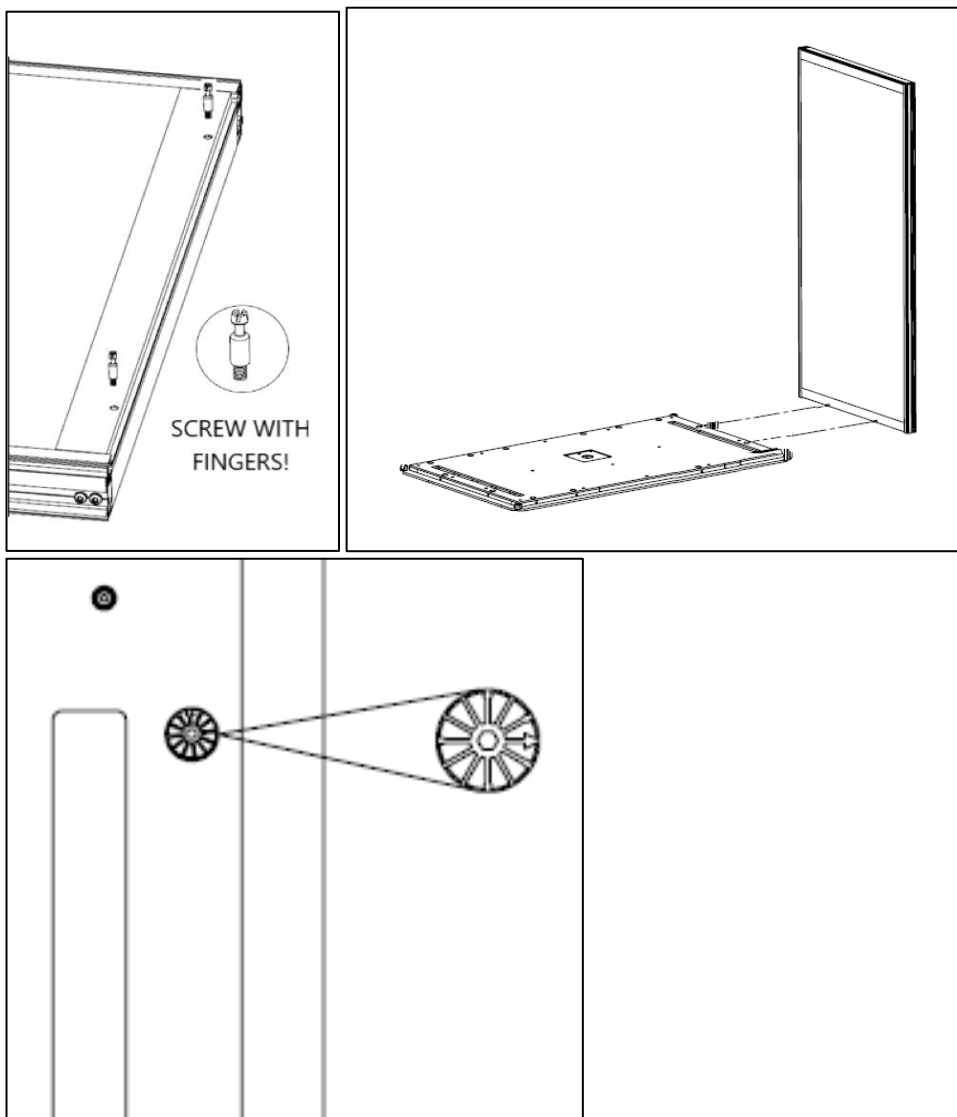


## Step 2 – assembly of solid wall

Without removing the wall from the box, screw two pins into the slots at the bottom of the wall with your fingers. You will find the pins in the collective carton. Then, pushing the wall to the edge of the pod's floor, fit the pins with the slots in the floor. Remember to tighten the eccentrics clockwise until you feel resistance.

Then connect the wall and the corner with the elements of the no-tool wall connecting system (H and T profiles), always starting to press them from the bottom upwards.

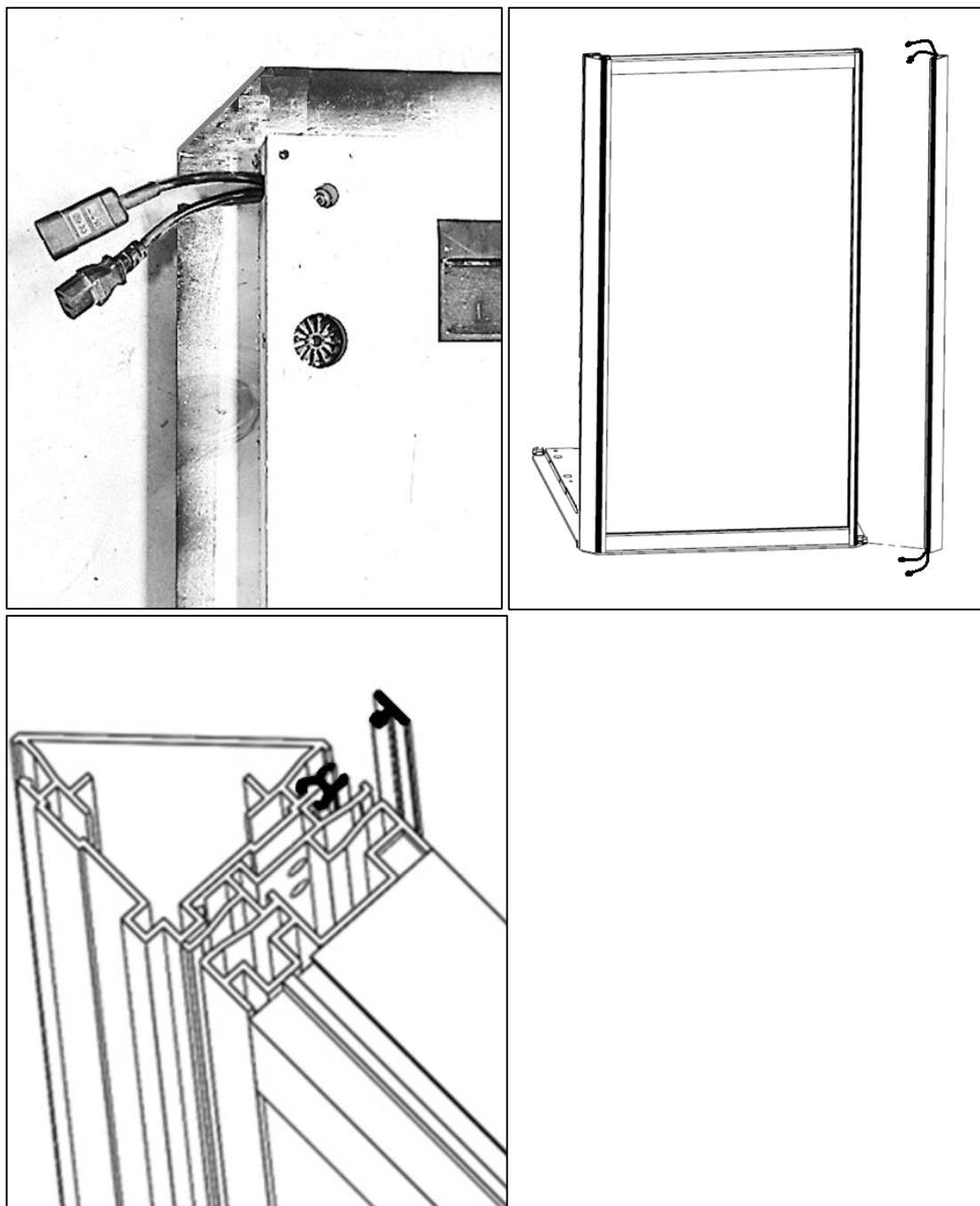
**NOTE: Until the H and T profiles are fitted, one person must hold the wall.**



### Step 3 – assembly of the power corner (with built-in cords)

Remove the corner from the collective box, pay attention to the top and bottom of the corner. Then connect the wall and the corner with the elements of the no-tool wall connecting system (with H and T profiles), always starting to press them from the bottom upwards.

**NOTE: Pay attention to the proper routing of the cord so as not to pinch the cord between the floor, corner and wall components.**

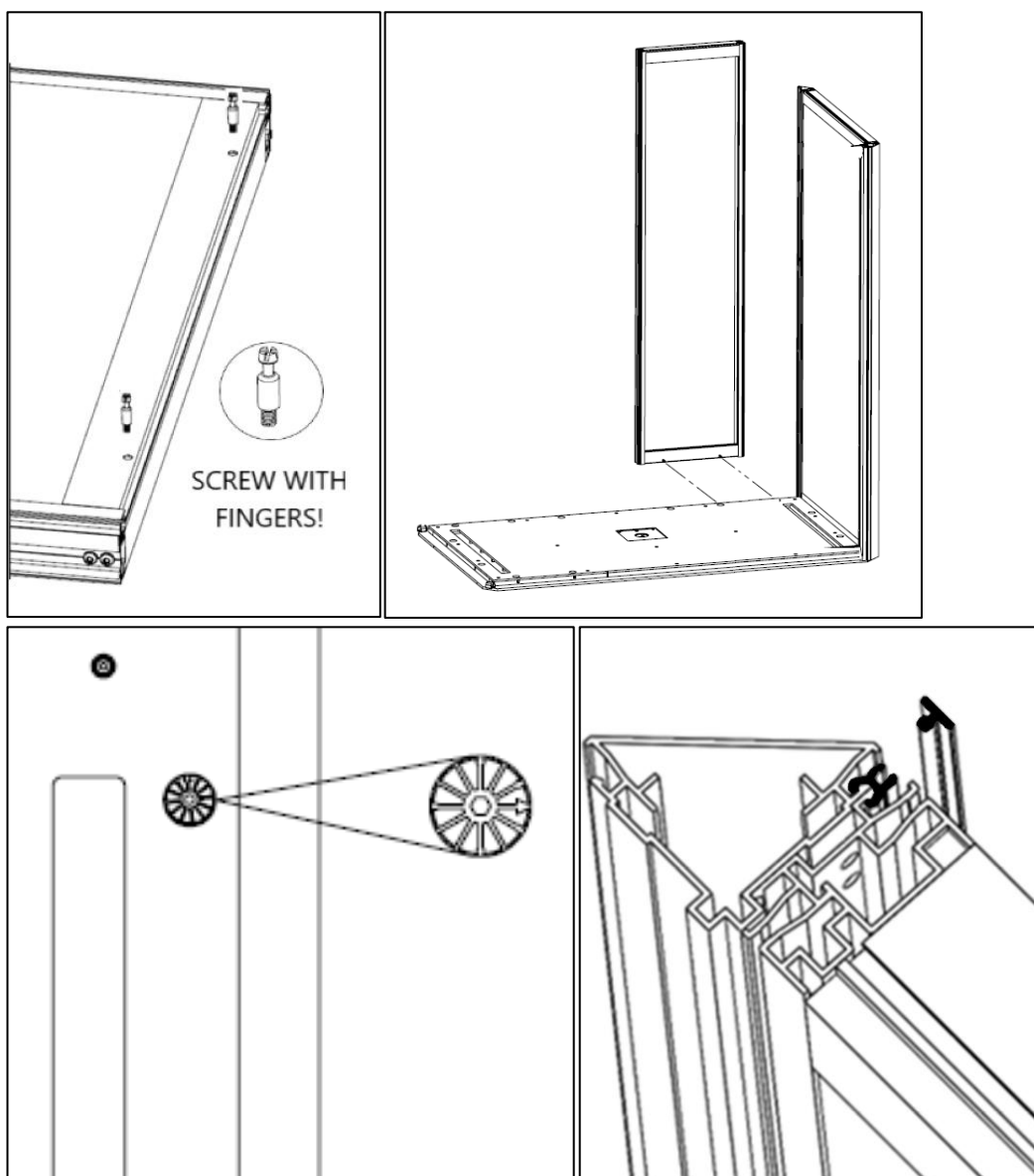


#### Step 4 – assembly of front narrow glass wall

Without removing the wall from the box, screw two pins into the slots at the bottom of the wall with your fingers. You will find the pins in the collective carton. Then, pushing the wall to the edge of the pod's floor, fit the pins with the slots in the floor. Remember to tighten the eccentrics clockwise until you feel resistance.

Then connect the wall and the corner with the elements of the no-tool wall connecting system (H and T profiles), always starting to press them from the bottom upwards.

**NOTE: Until the H and T profiles are fitted, one person must hold the wall.**

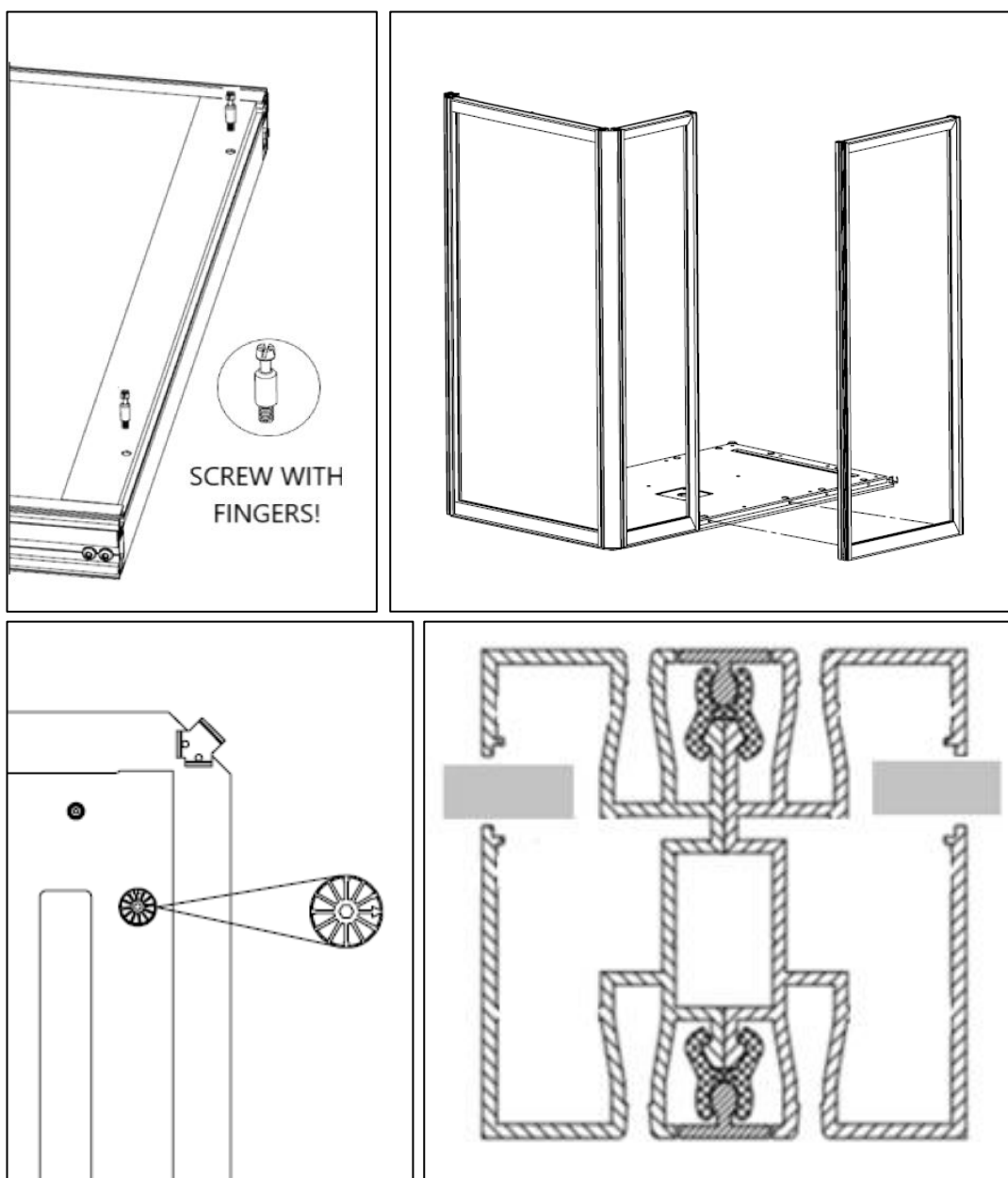


## Step 5 – assembly of front wide glass wall

Without removing the wall from the box, screw two pins into the slots at the bottom of the wall with your fingers. You will find the pins in the collective carton. Then, pushing the wall to the edge of the pod's floor, fit the pins with the slots in the floor. Remember to tighten the eccentrics clockwise until you feel resistance.

Then connect the walls with the elements of the no-tool wall connecting system (H and T profiles), always starting to press them in from the bottom upwards. Install the H and T profiles on both sides of the wall - outside and inside of the pod. Install the shorter T-profile on the inside, and the longer T-profile on the outside.

**NOTE: Until the H and T profiles are fitted, one person must hold the wall.**

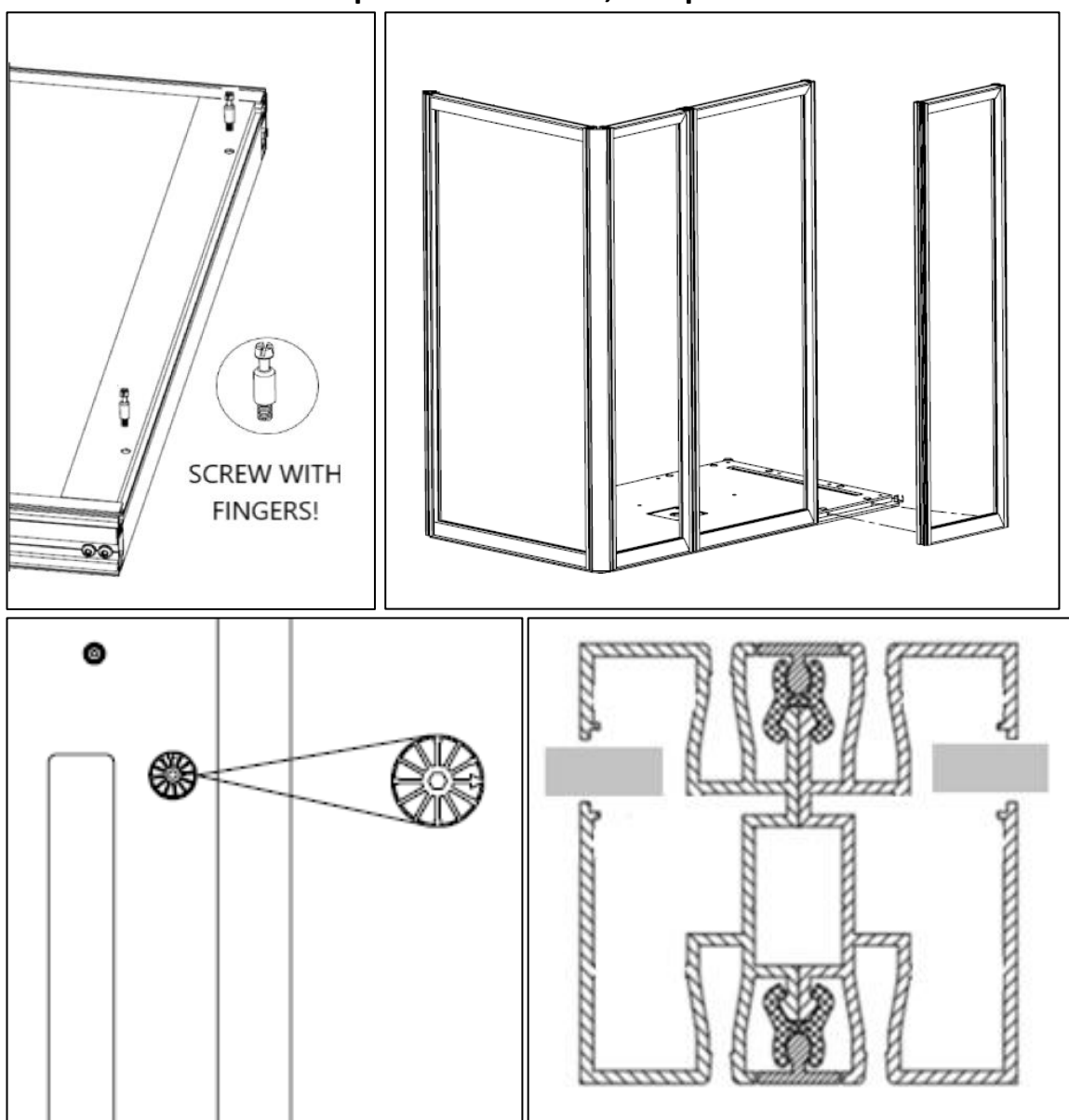


## Step 6 - assembly of front narrow glass wall

Without removing the wall from the box, screw two pins into the slots at the bottom of the wall with your fingers. You will find the pins in the collective carton. Then, pushing the wall to the edge of the pod's floor, fit the pins with the slots in the floor. Remember to tighten the eccentrics clockwise until you feel resistance.

Then connect the walls with the elements of the no-tool wall connecting system (H and T profiles), always starting to press them in from the bottom upwards. Install the H and T profiles on both sides of the wall - outside and inside of the pod. Install the shorter T-profile on the inside, and the longer T-profile on the outside.

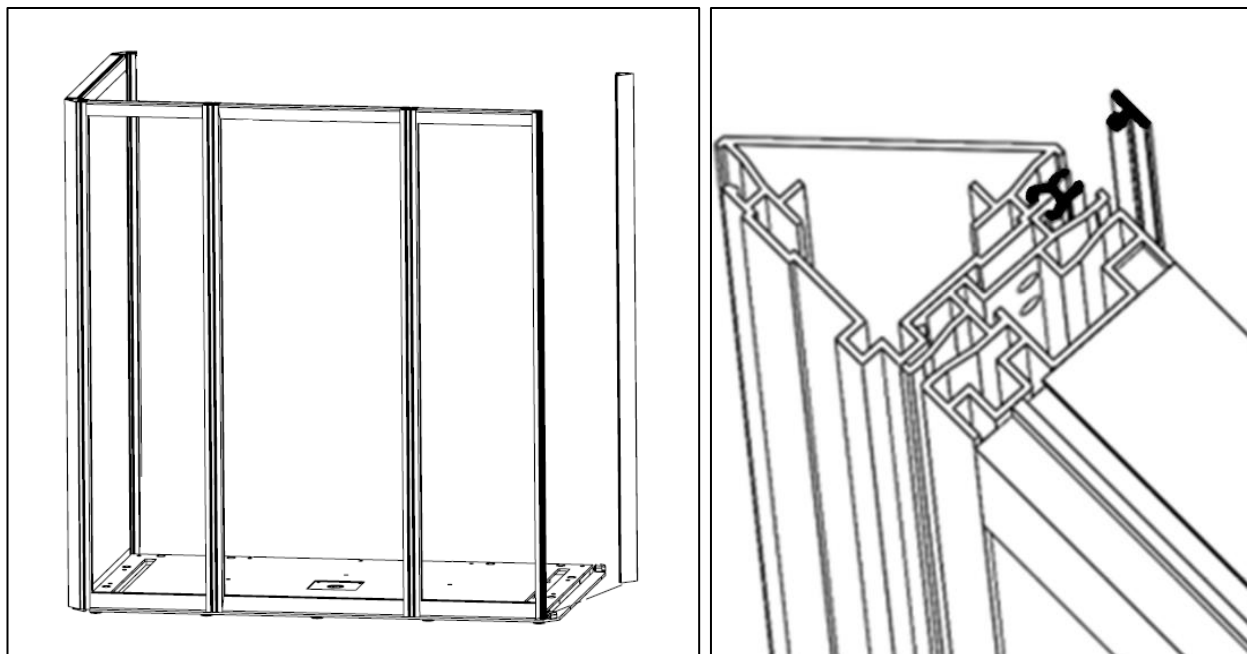
**NOTE: Until the H and T profiles are fitted, one person must hold the wall.**



## Step 7 – corner assembly

Remove the corner from the collective box, the top/bottom of the corner does not matter.

Then connect the wall and the corner with the elements of the no-tool wall connecting system (with H and T profiles), always starting to press them from the bottom upwards.

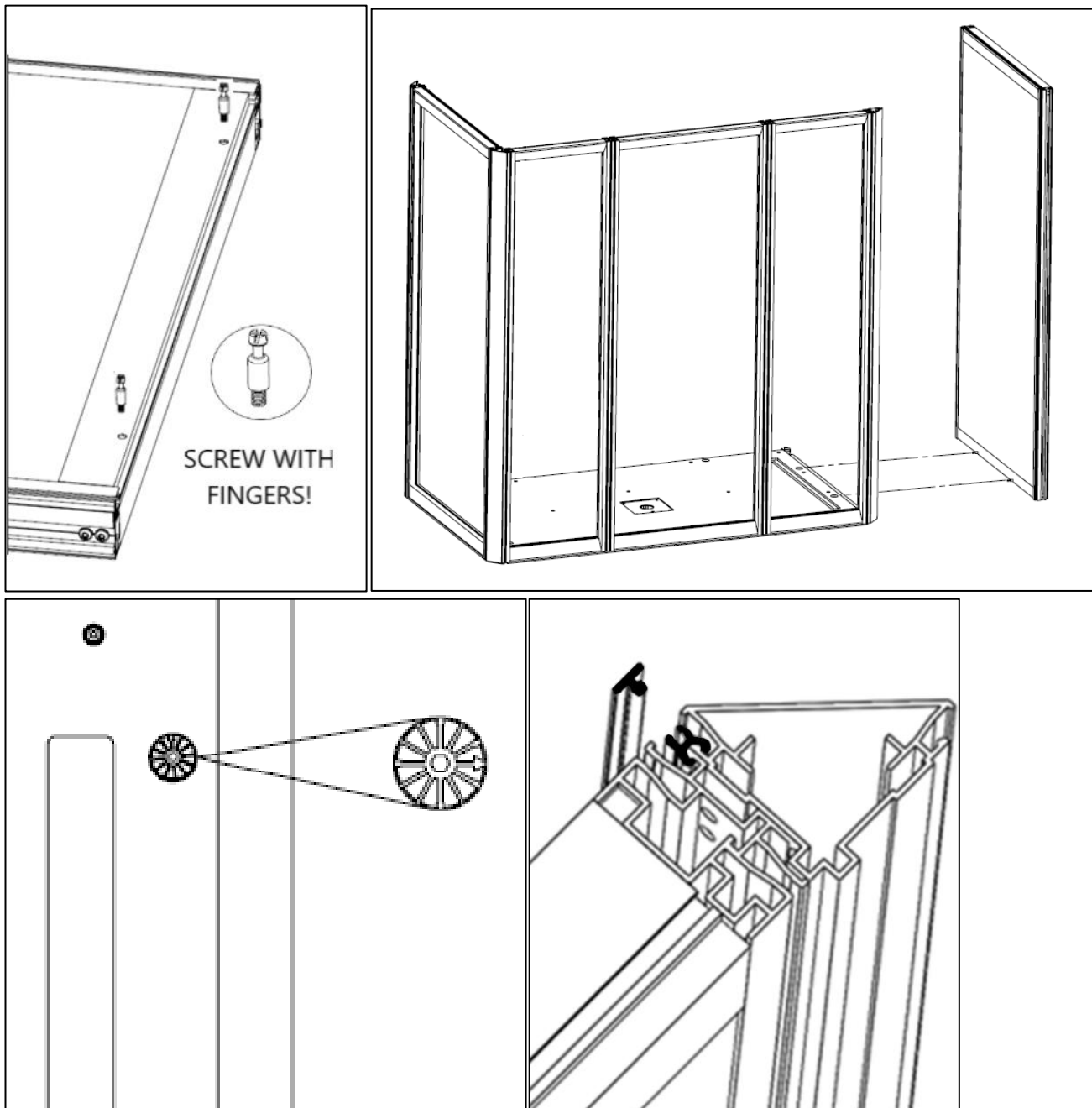


## Step 8 – installation of solid wall

Without removing the wall from the box, screw two pins into the slots at the bottom of the wall with your fingers. You will find the pins in the collective carton. Then, pushing the wall to the edge of the pod's floor, fit the pins with the slots in the floor. Remember to tighten the eccentrics clockwise until you feel resistance.

Then connect the wall and the corner with the elements of the no-tool wall connecting system (H and T profiles), always starting to press them from the bottom upwards.

**NOTE: Until the H and T profiles are fitted, one person must hold the wall.**

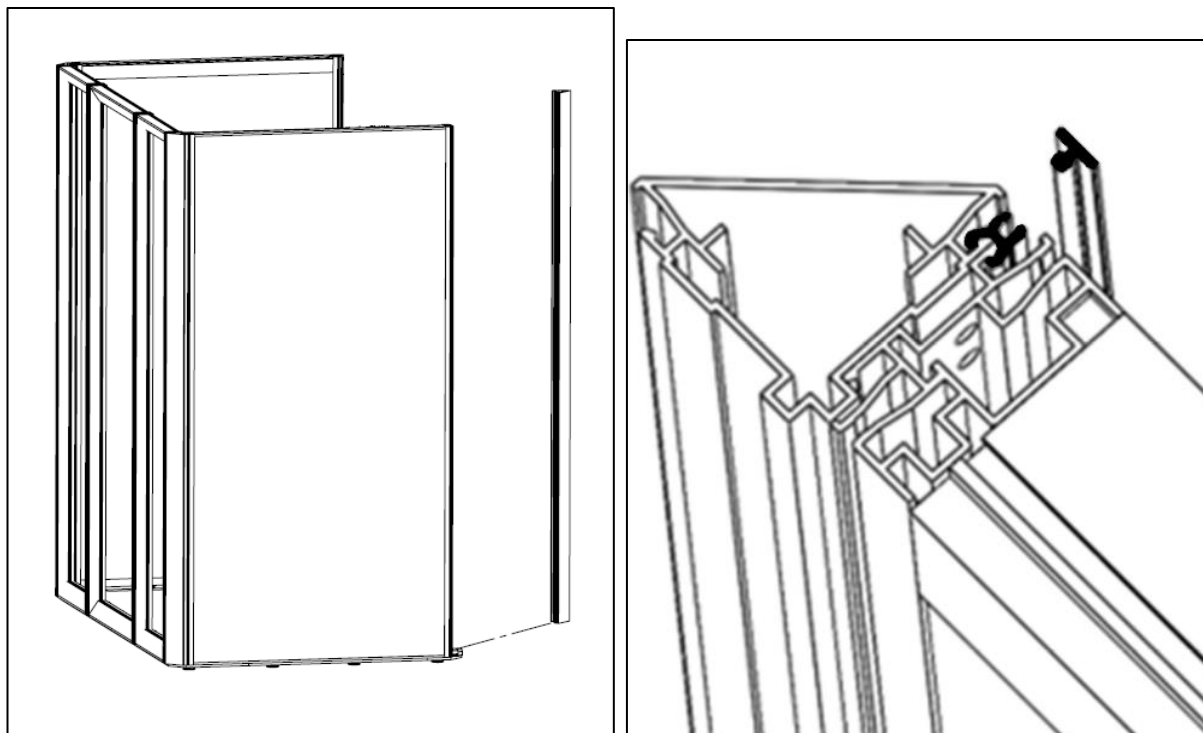




## Step 9 – corner assembly

Remove the corner from the collective box, the top/bottom of the corner does not matter.

Then connect the wall and the corner with the elements of the no-tool wall connecting system (with H and T profiles), always starting to press them from the bottom upwards.

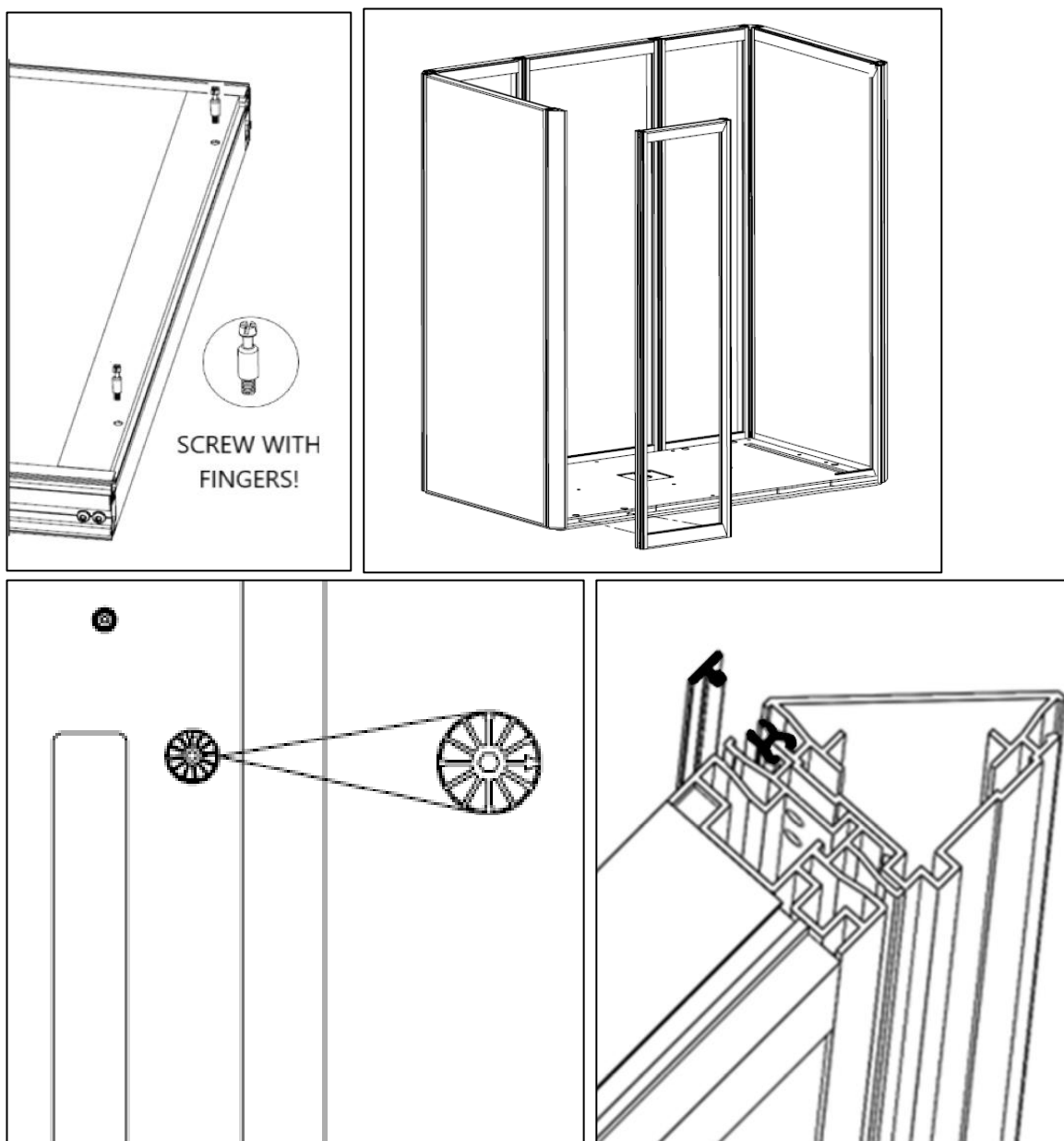


## Step 10 – assembly of front narrow glass wall

Without removing the wall from the box, screw two pins into the slots at the bottom of the wall with your fingers. You will find the pins in the collective carton. Then, pushing the wall to the edge of the pod's floor, fit the pins with the slots in the floor. Remember to tighten the eccentrics clockwise until you feel resistance.

Then connect the walls with the elements of the no-tool wall connecting system (H and T profiles), always starting to press them in from the bottom upwards. Install the H and T profiles on both sides of the wall - outside and inside of the pod. Install the shorter T-profile on the inside, and the longer T-profile on the outside.

**NOTE: Until the H and T profiles are fitted, one person must hold the wall.**



## Step 11 – assembly of door with frame

Remove the door assembled with the door frame from the cardboard. The door frame has no pins.

Place them on the edge of the floor, pressing them against the nearest wall. Align the door so that the planes of the door frame and side wall profiles are aligned.

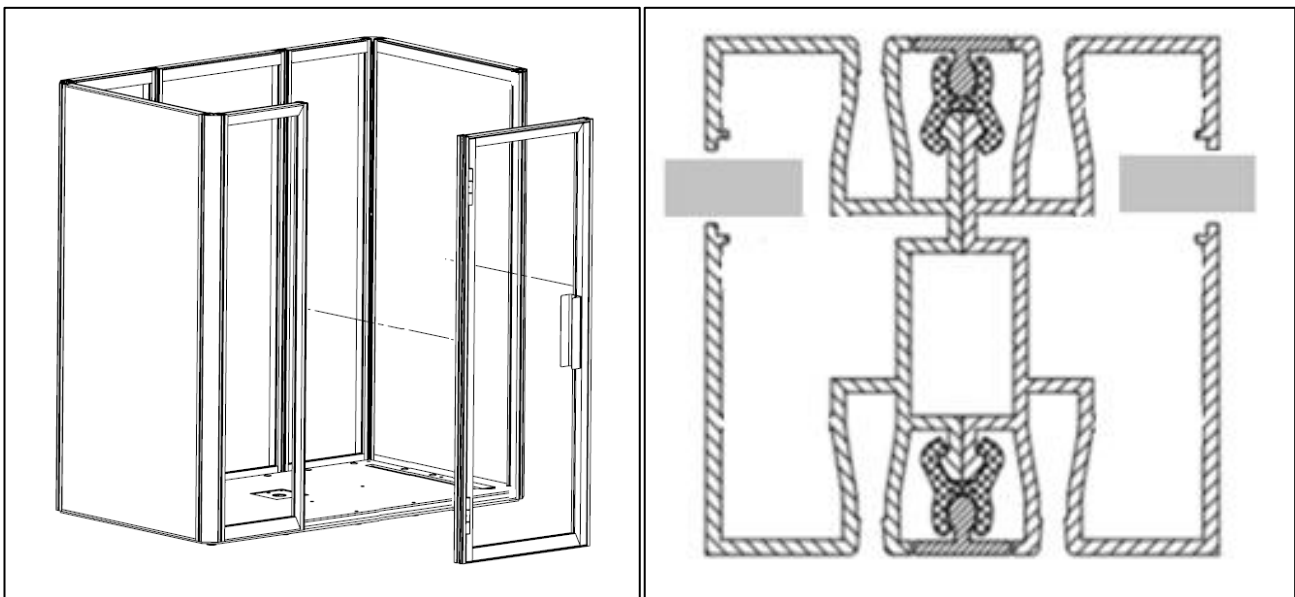
The door hinges should be on the outside of the pod on the left side.

Connect the door and walls with the elements of the connecting system (H and T profiles), always starting to press from the bottom. Install the H and T profiles on both sides of the door and on the inside and outside of the pod. Install the shorter T-profile on the inside, and the longer T-profile on the outside.

**NOTE:** Until the H and T profiles are fitted, one person must hold the door.

**CAUTION!** Carrying by the door handle is not allowed and may damage the hinges.

**NOTE:** Any adjustment of the door should be carried out after the pod is fully assembled using the adjusting screws located on the hinges.

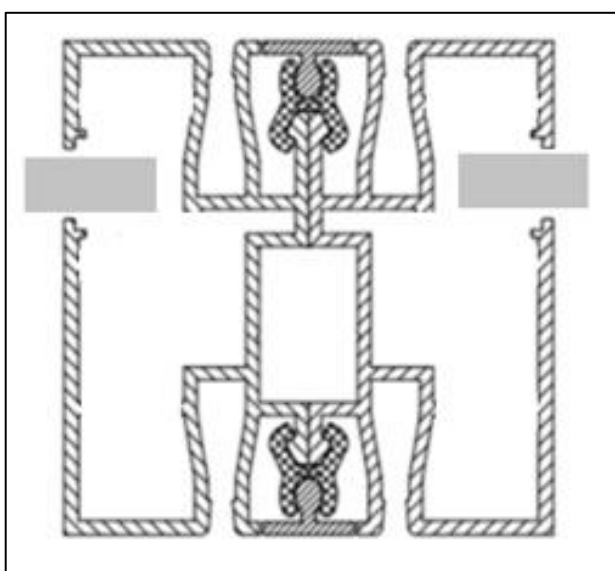
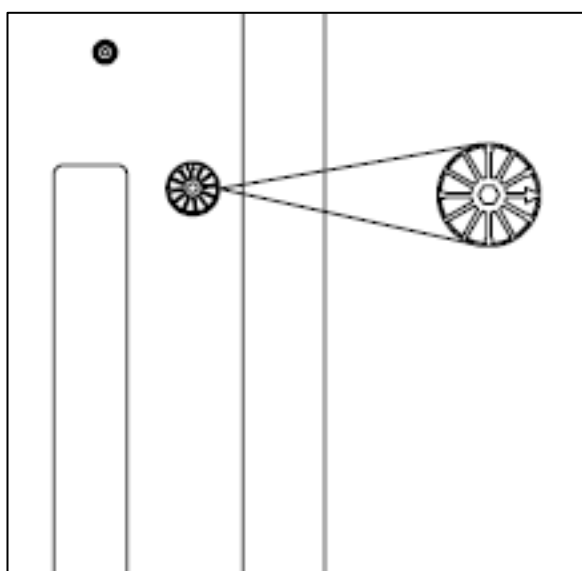
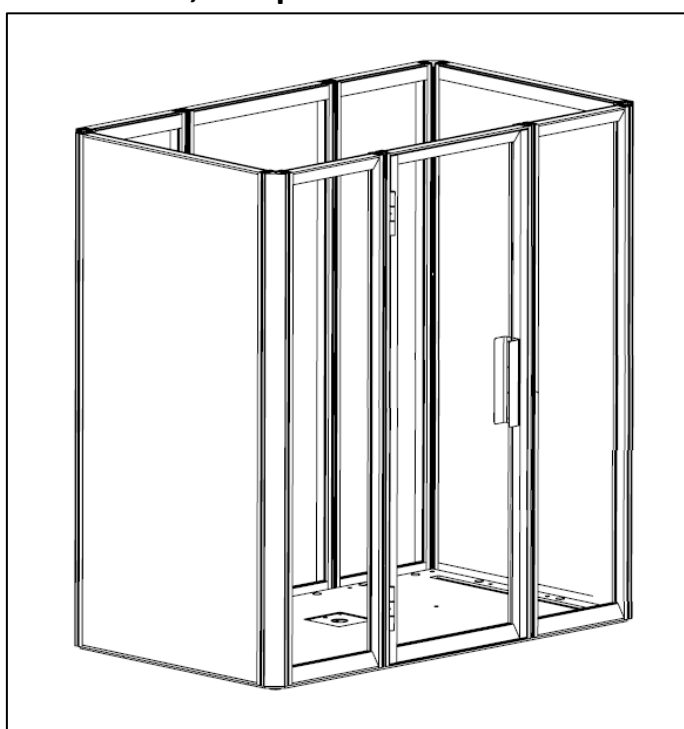
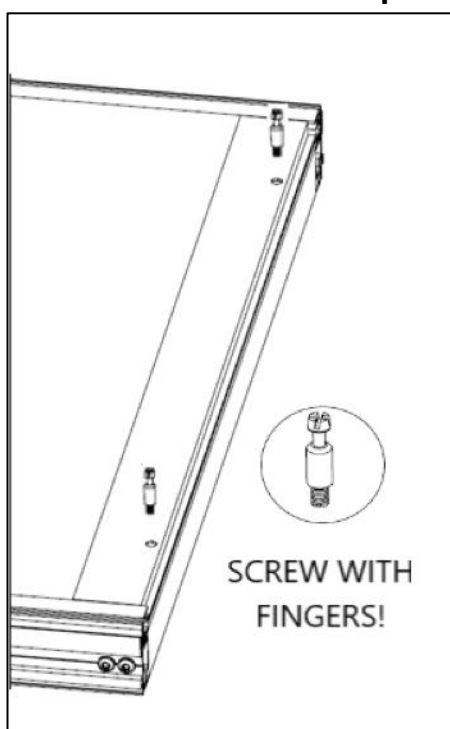


## Step 12 – assembly of front narrow glass wall

Without removing the wall from the box, screw two pins into the slots at the bottom of the wall with your fingers. You will find the pins in the collective carton. Then, pushing the wall to the edge of the pod's floor, fit the pins with the slots in the floor. Remember to tighten the eccentrics clockwise until you feel resistance.

Then connect the walls with the elements of the no-tool wall connecting system (H and T profiles), always starting to press them in from the bottom upwards. Install the H and T profiles on both sides of the wall - outside and inside of the pod. Install the shorter T-profile on the inside, and the longer T-profile on the outside.

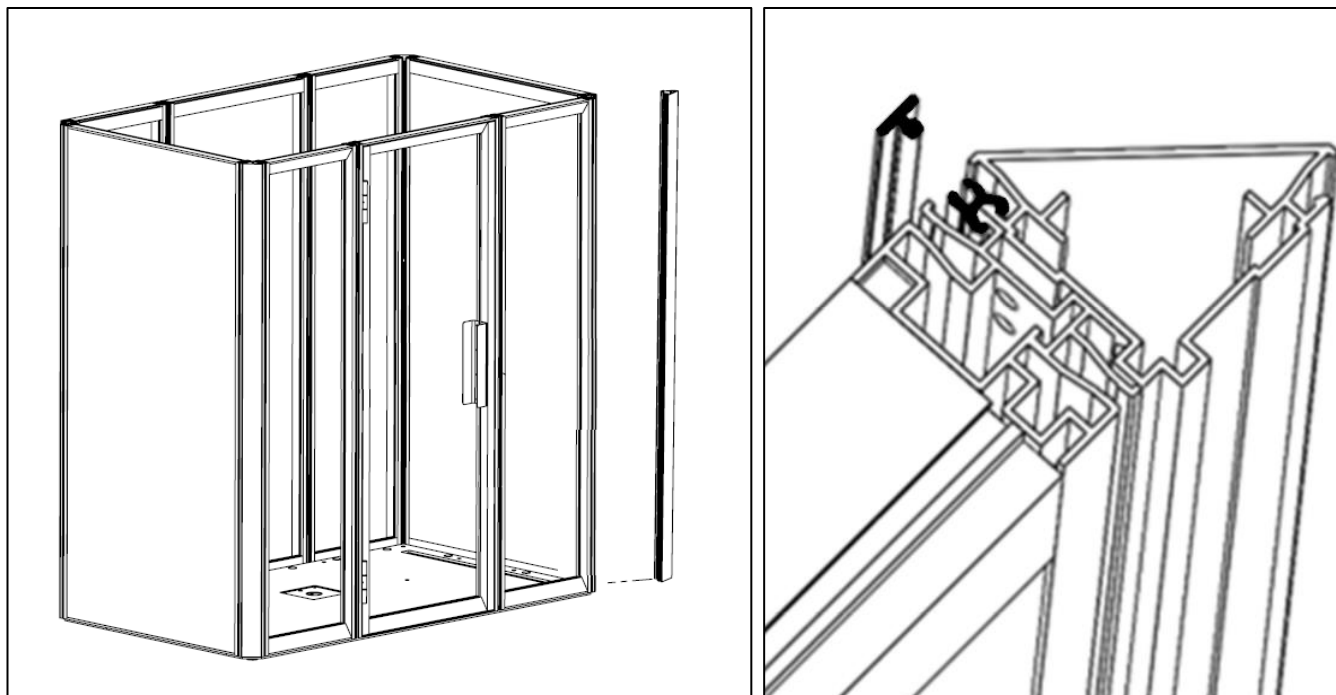
**NOTE: Until the H and T profiles are fitted, one person must hold the wall.**



### Step 13 – corner assembly

Remove the corner from the collective box, insert it into the corner positioner, the top/bottom of the corner does not matter.

Then connect the wall and the corner with the elements of the no-tool wall connecting system (with H and T profiles), always starting to press them from the bottom upwards.



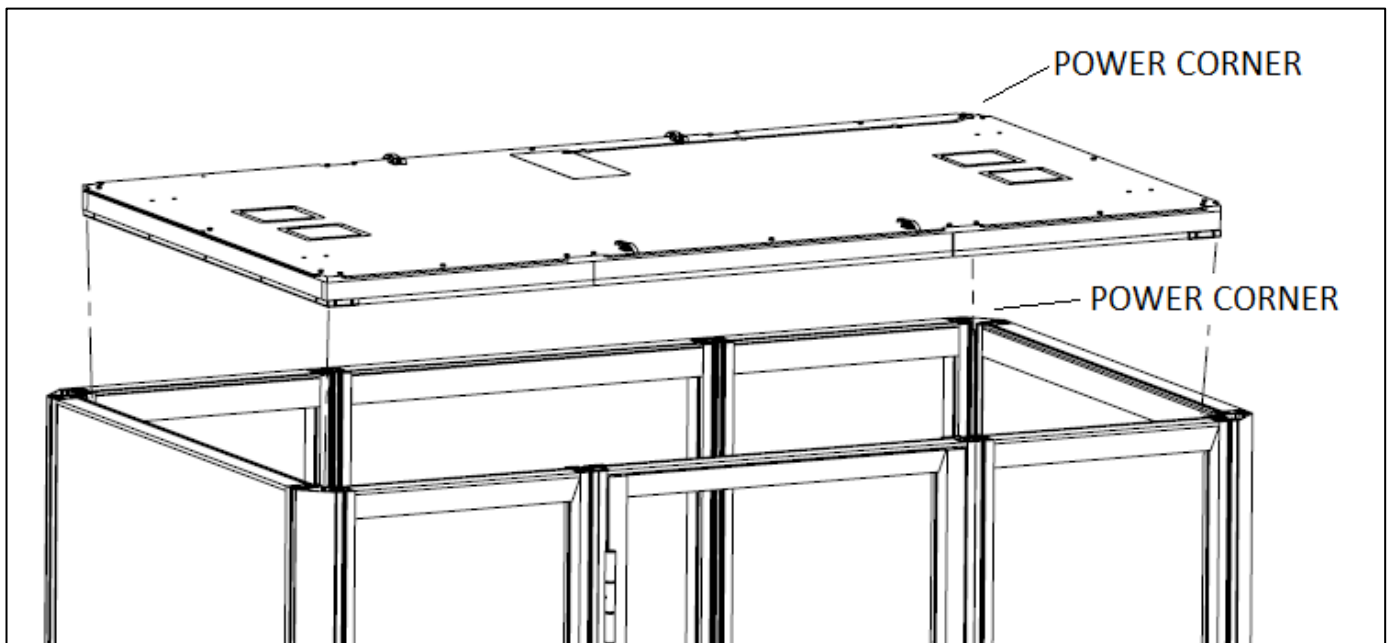
## Step 14 – ceiling assembly

Remove the ceiling from the box. Before installing it, reposition the cords sticking out from the top of the pod's power corner so that they are routed outside the pod and are not pinched by the ceiling.

Position the ceiling so that the power corner of the ceiling with the conduit is aligned with the power corner of the pod. Then insert the ceiling between the pod walls and align the plane of the ceiling with the top plane of the wall profiles pressing evenly from above.

**NOTE:** A ladder may be helpful when installing the ceiling.

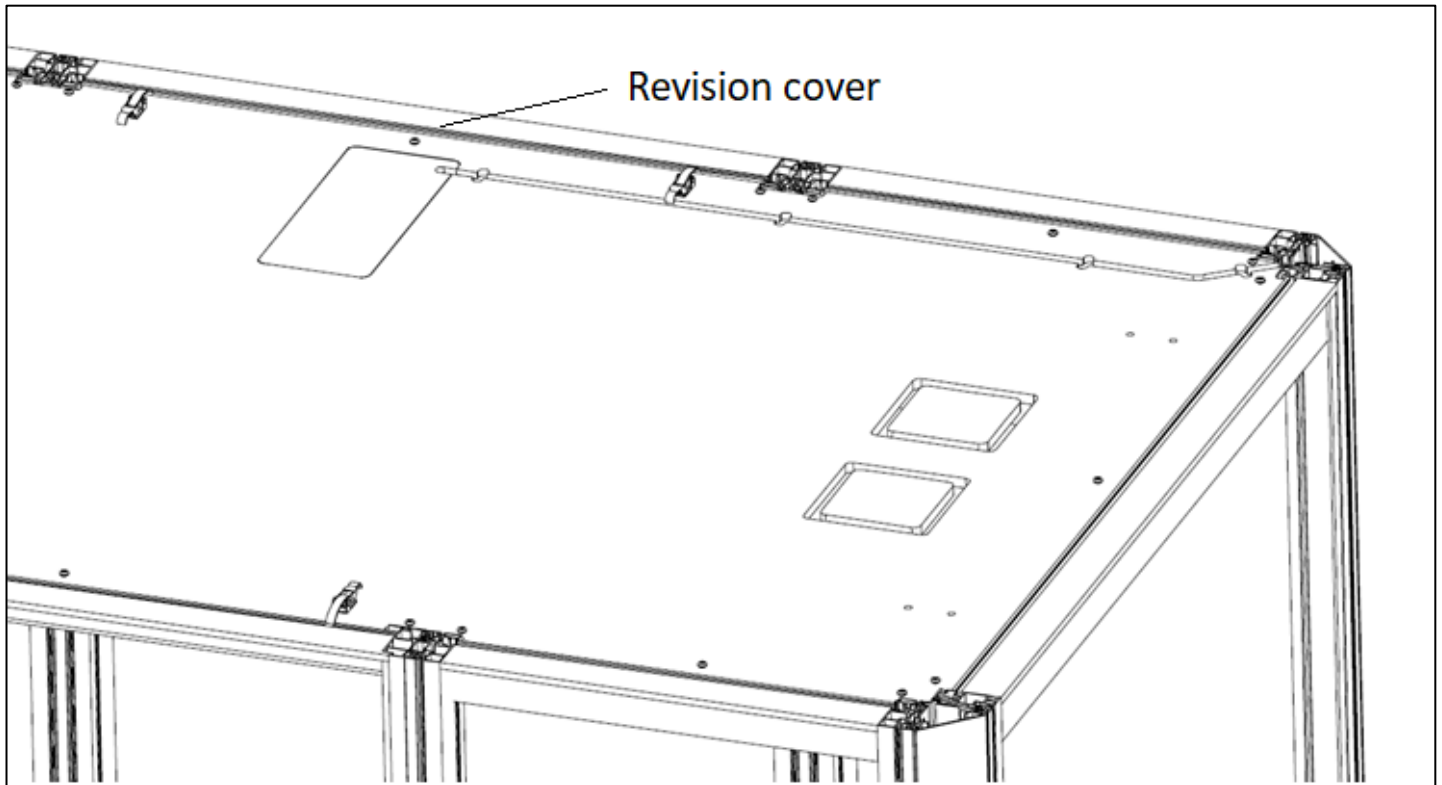
**ATTENTION:** When installing the ceiling, pay special attention not to damage the presence sensor, LED lamp and ceiling upholstery.



## Step 15 – connecting power cords in the ceiling

**CAUTION: Make sure that the pod is not connected to the power supply and the cords are not live. Connecting live cords risks shock.**

Remove the revision cover in the ceiling, pull out the two C13 and C14 cord connectors, then connect them to the C14 and C13 connectors coming out of the corner, accordingly.



**C13**

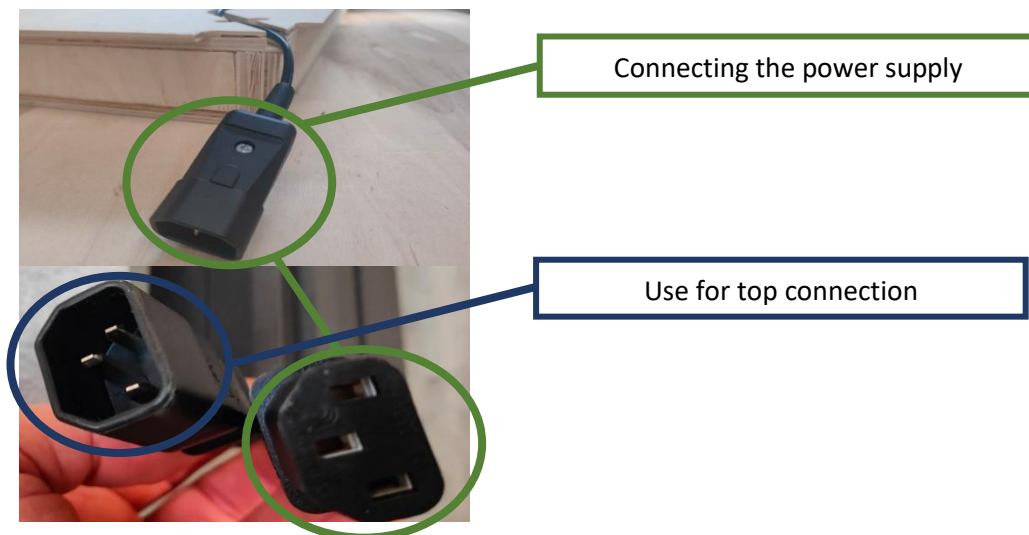
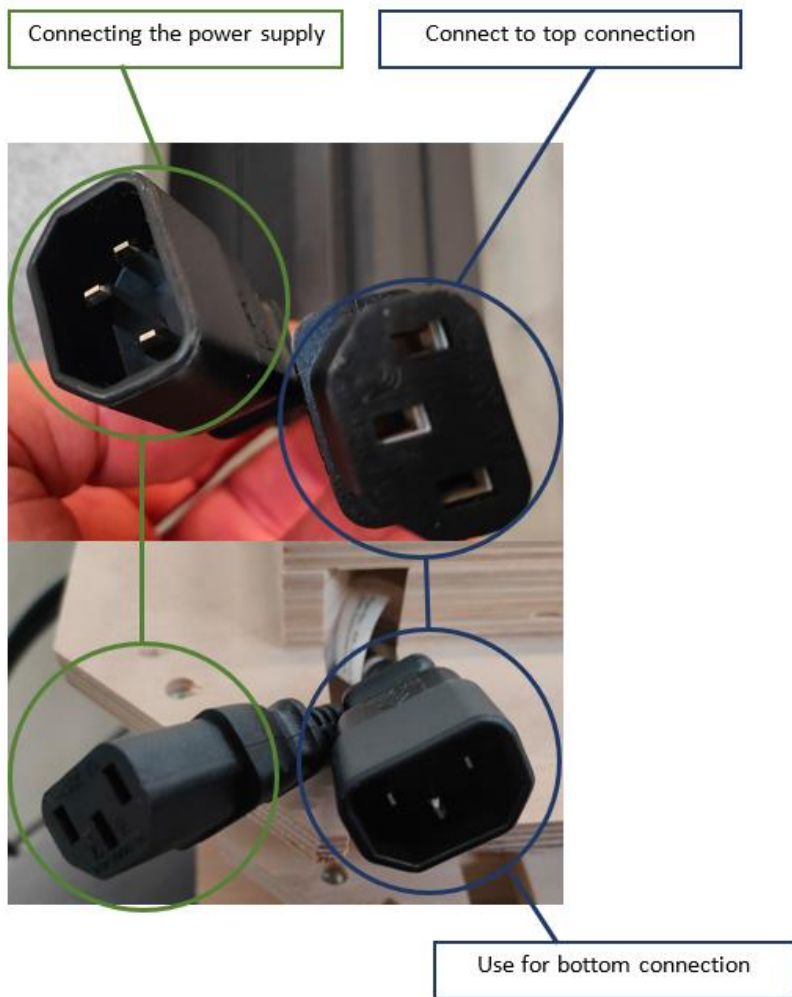


**C14**

Connect the C13 connector coming out of the floor with the C14 connector coming out of the corner to supply power to the power supply located in the ceiling.

For connection from below, connect the C14 connector coming out of the floor with the cord attached, the C13 connector coming out of the corner remains unused (no power supply).

For connection from above, connect the C14 connector coming out of the floor with the C13 connector coming out of the corner, and connect the supplied power cord with the C14 connector coming out of the corner at the ceiling.

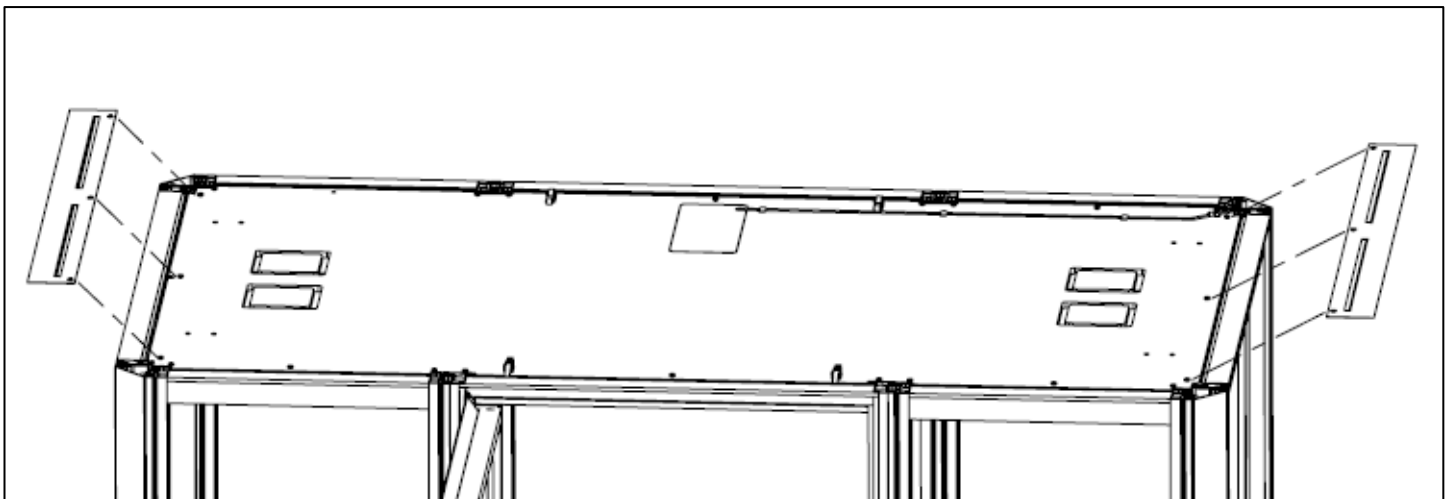
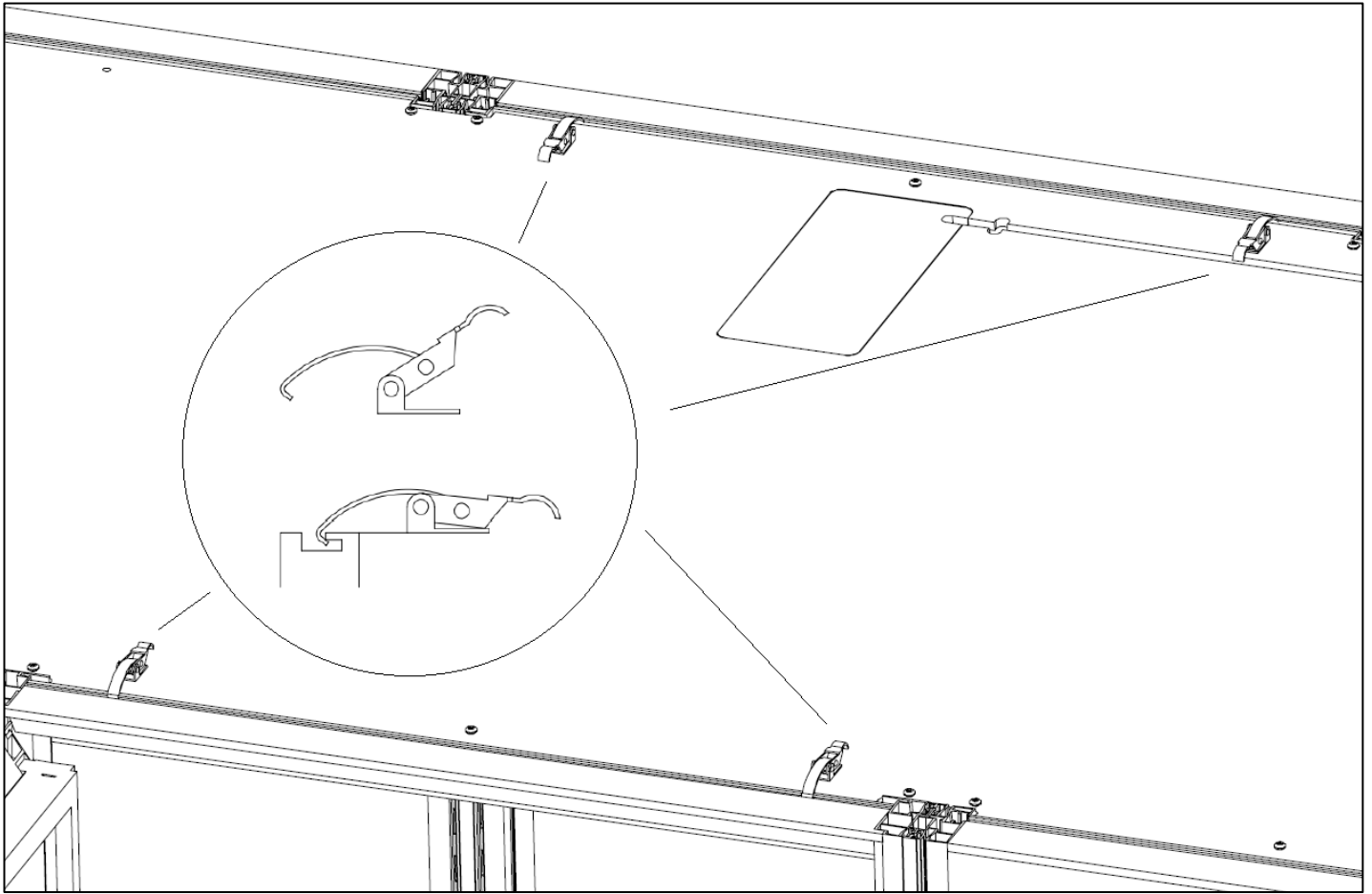


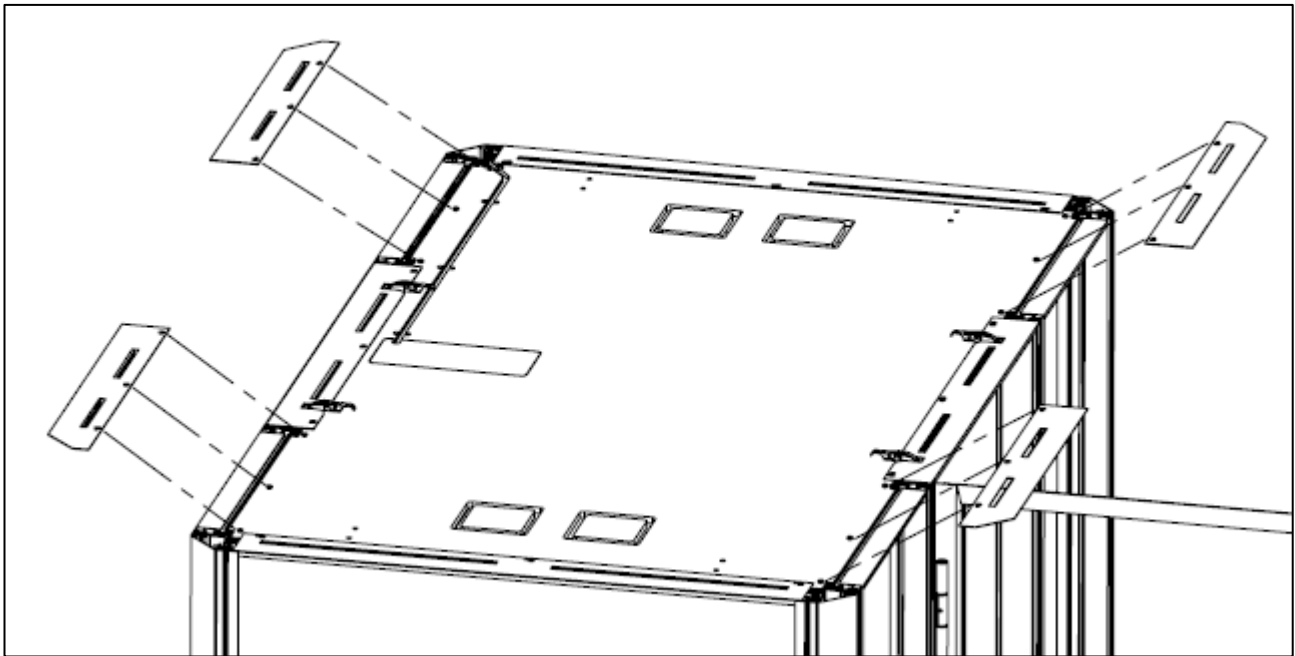
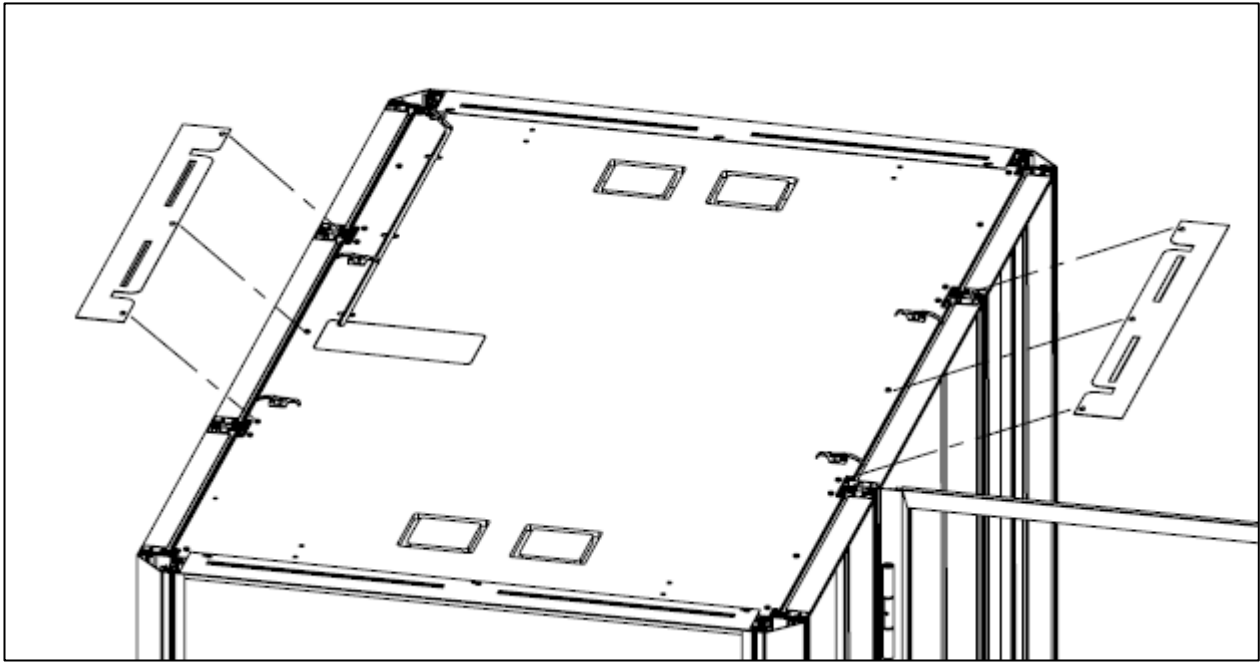
Arrange the connected cords in the inspection recess, then apply the cover.



## Step 16 – clamps and ceiling sheets

Fasten the clamps (4 pcs.), apply the ceiling sheets (8 pcs.) on each edge of the pod.





## Step 17 – table and media port assembly

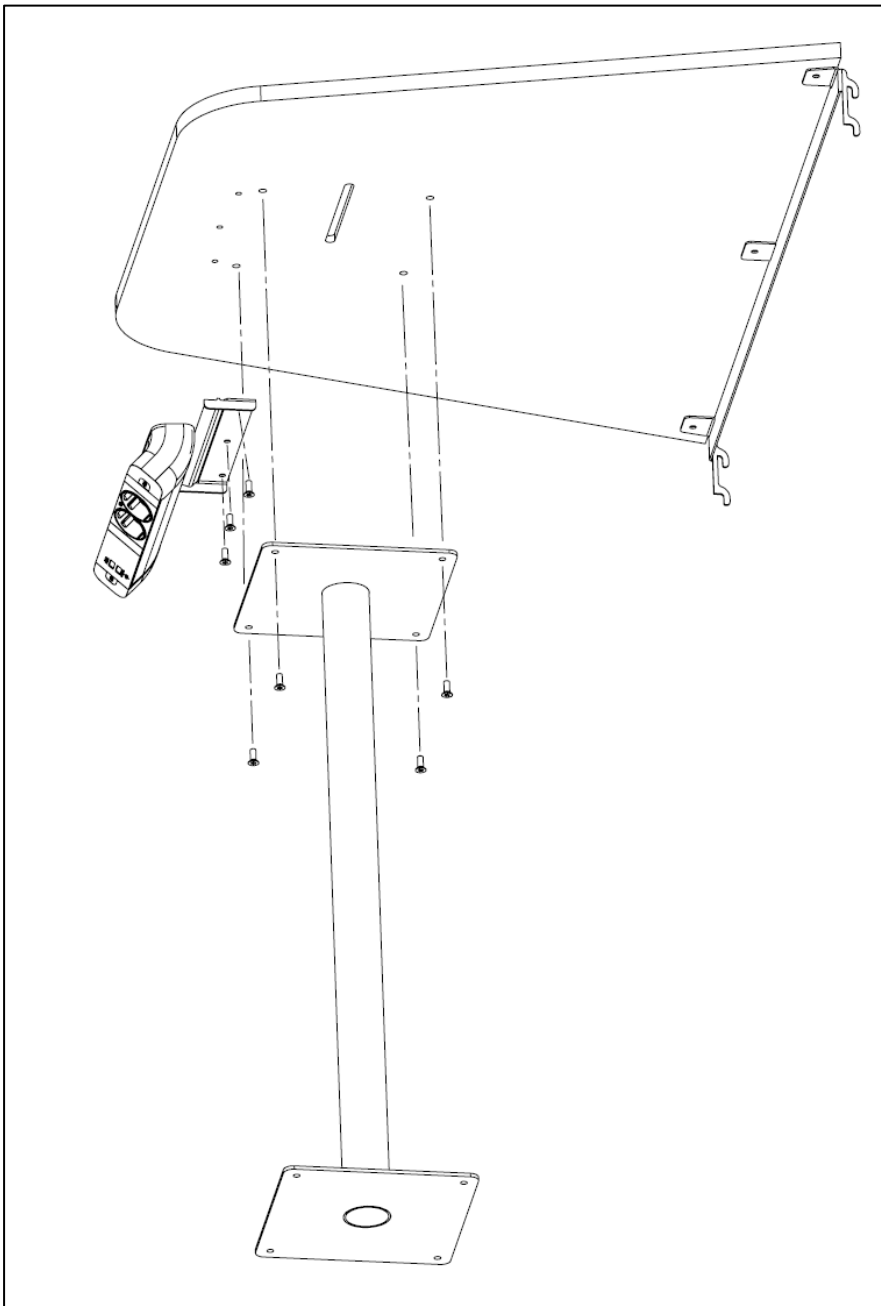
Remove the table components from the box and assemble as shown in the picture below.

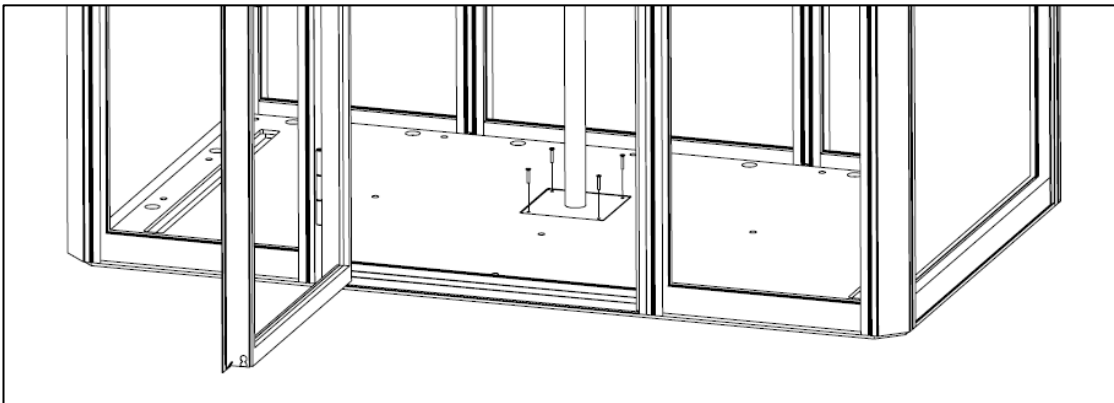
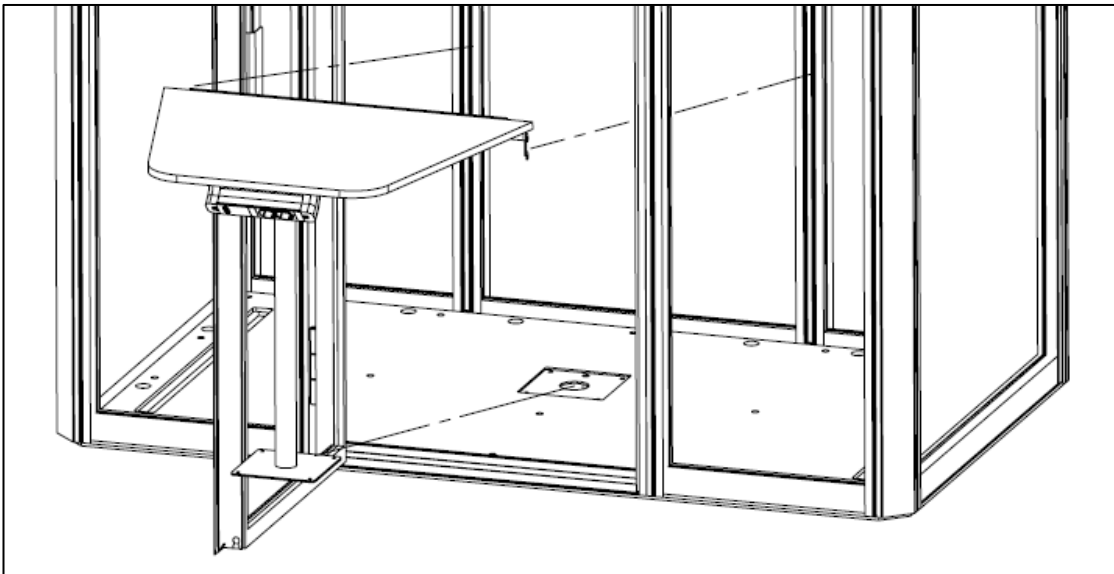
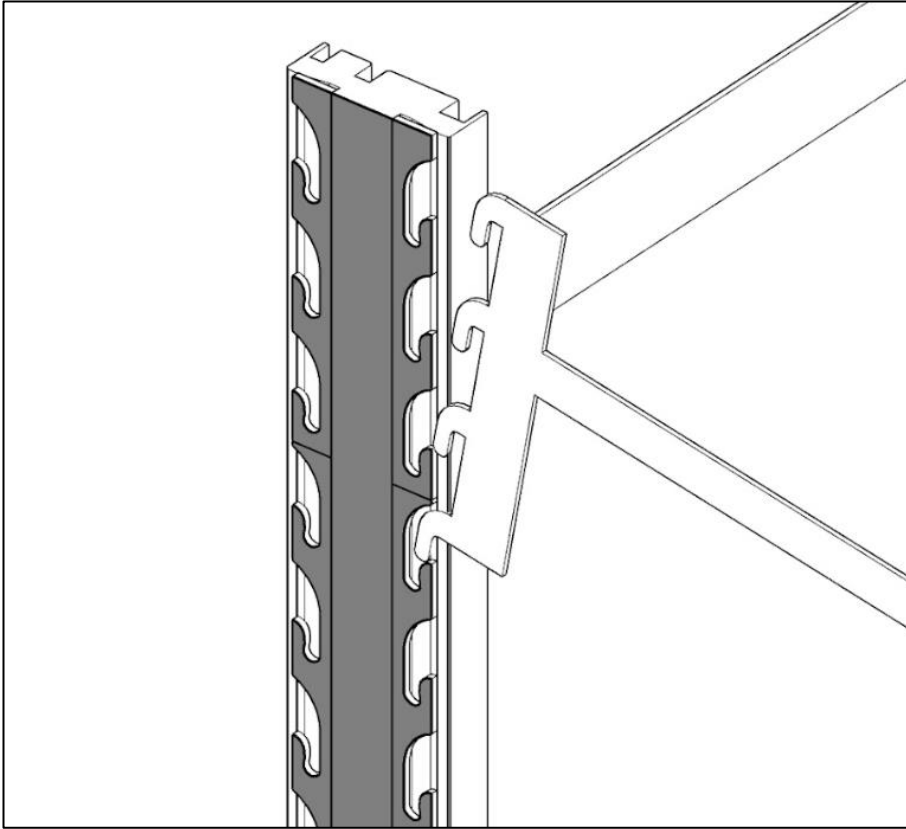
Once the table is assembled, install the media port to the table using the mounting piece.

Hang the assembled table using the hook system built into the wall. Then screw the table leg with four screws. Connect the cord of the media port.

**The maximum load of the tabletop - 40 kg. It is forbidden to sit or stand on the tabletop.**

**NOTE: When hanging the tabletop, pay special attention not to scratch or damage the elements of the pod.**

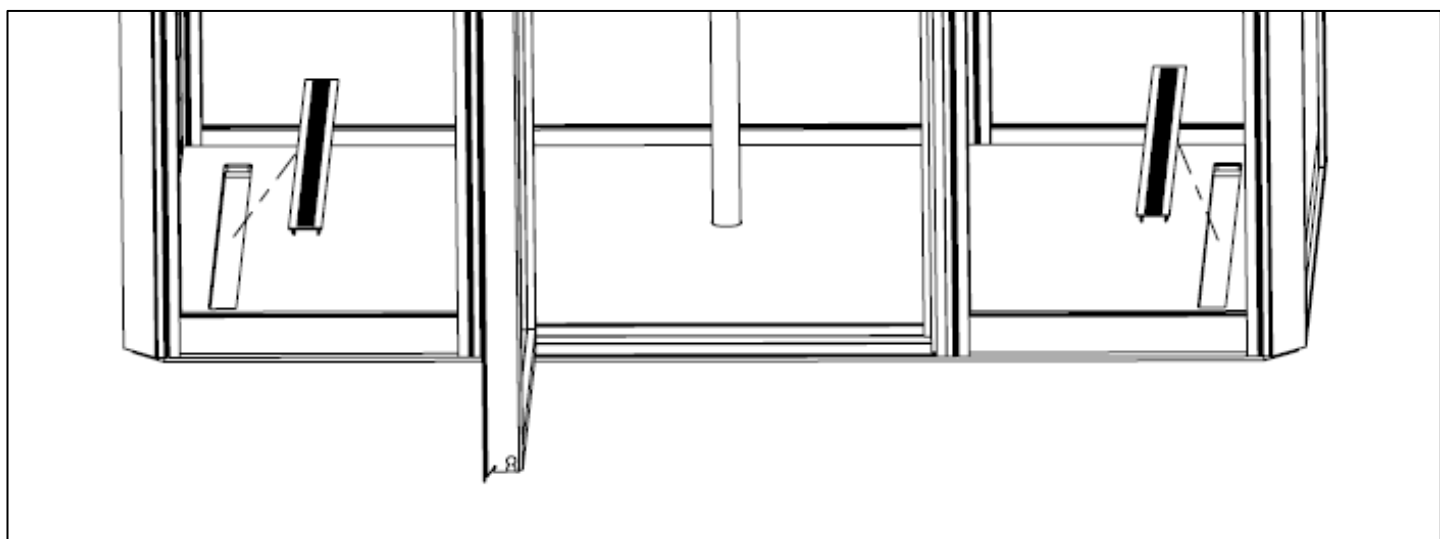
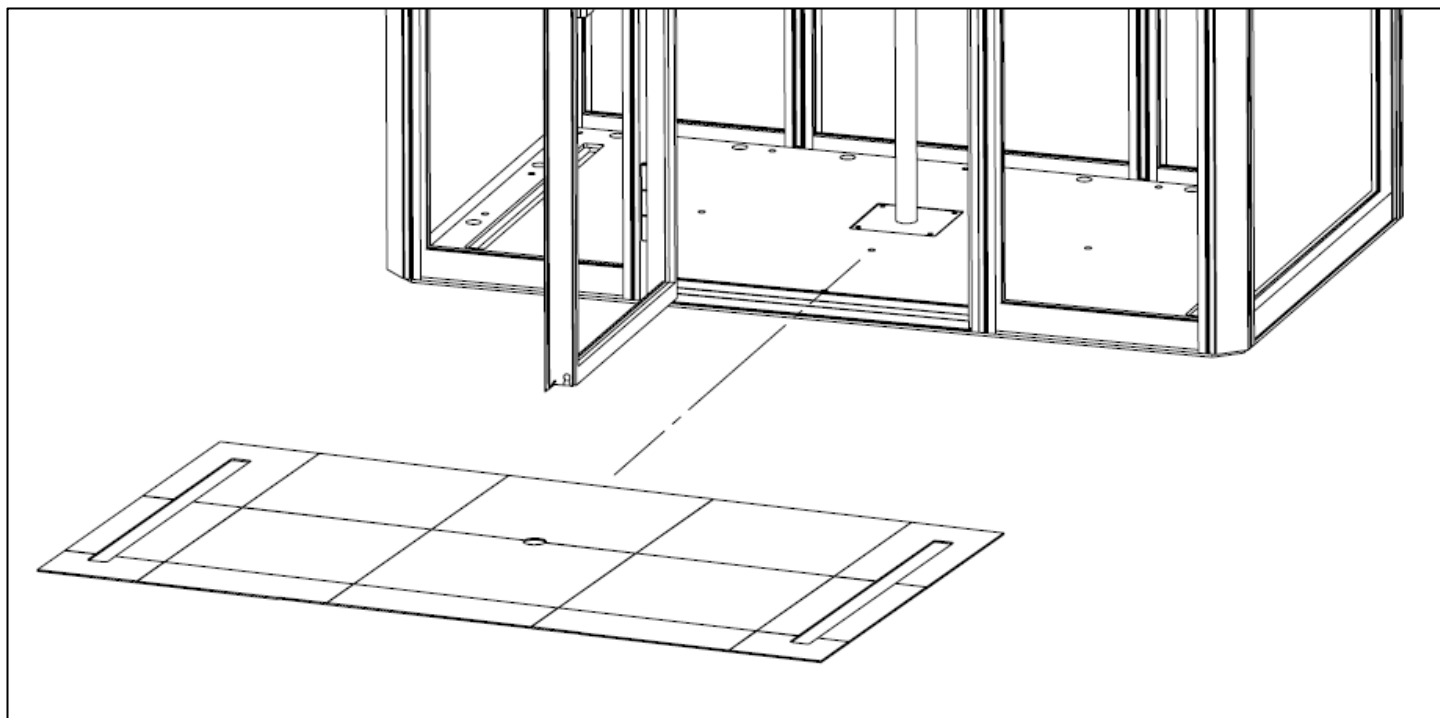




## Step 18 – Carpet and the floor ventilation strips

Remove and arrange the carpet according to the numbering on the bottom of the carpet tiles. Align them with the holes in the floor.

Then insert the ventilation cover into the floor vent.



## Step 19 - assemble the sofas and interior furnishings

Pull out the frames of one sofa, hang them using the hook system built into the wall. Then insert the seat of the sofa to fit between the frames.

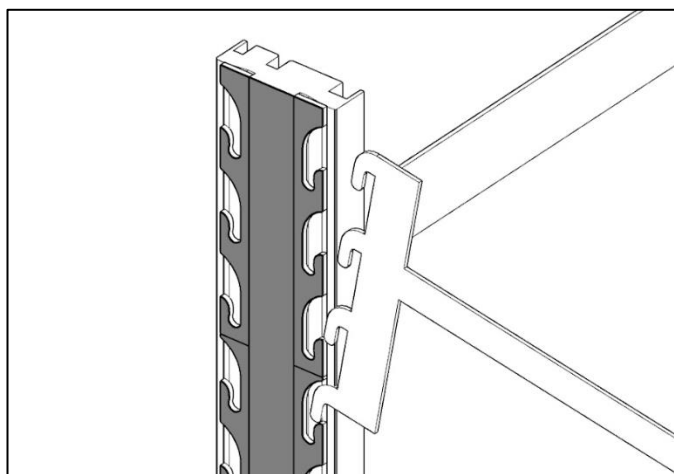
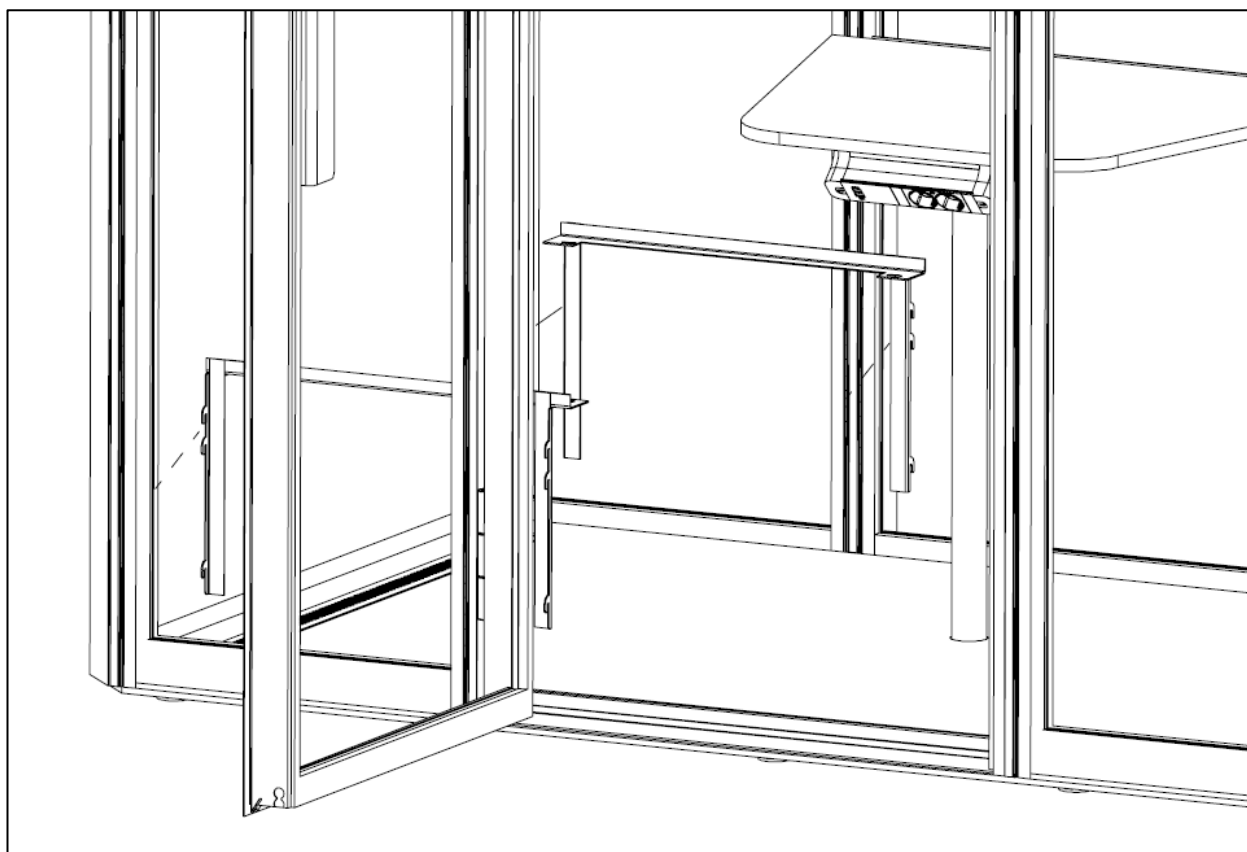
Pull out and hang the backrest on the hooks, mounted to the wall profiles.

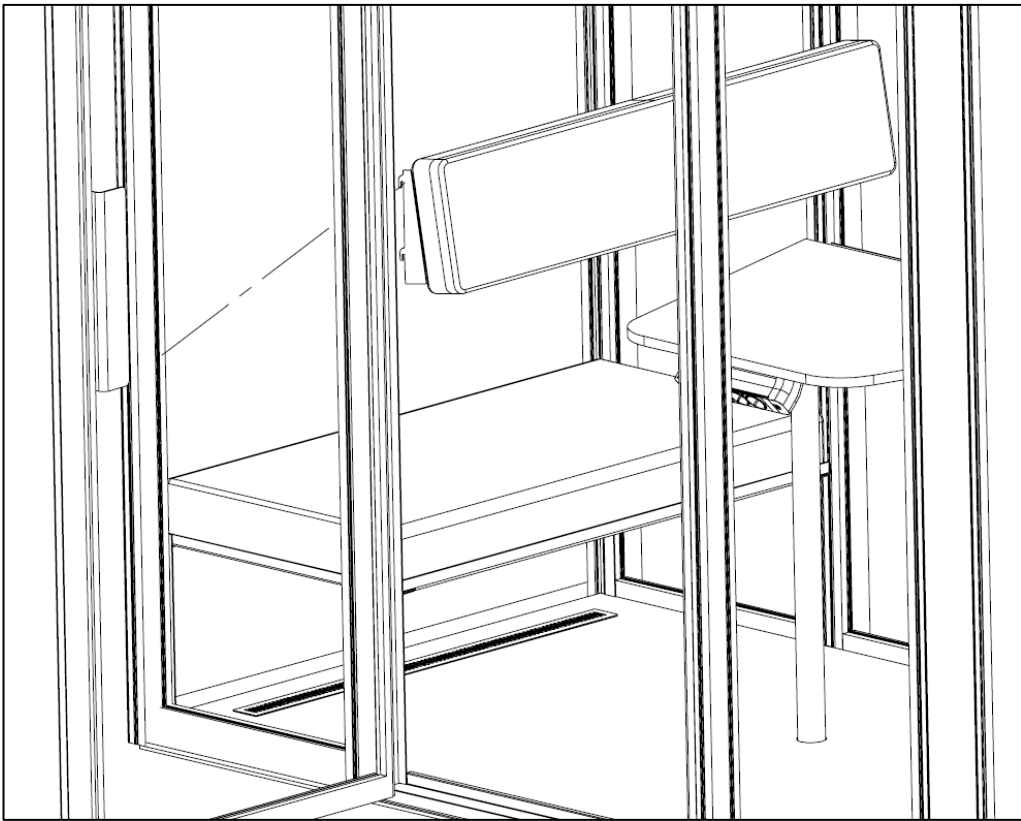
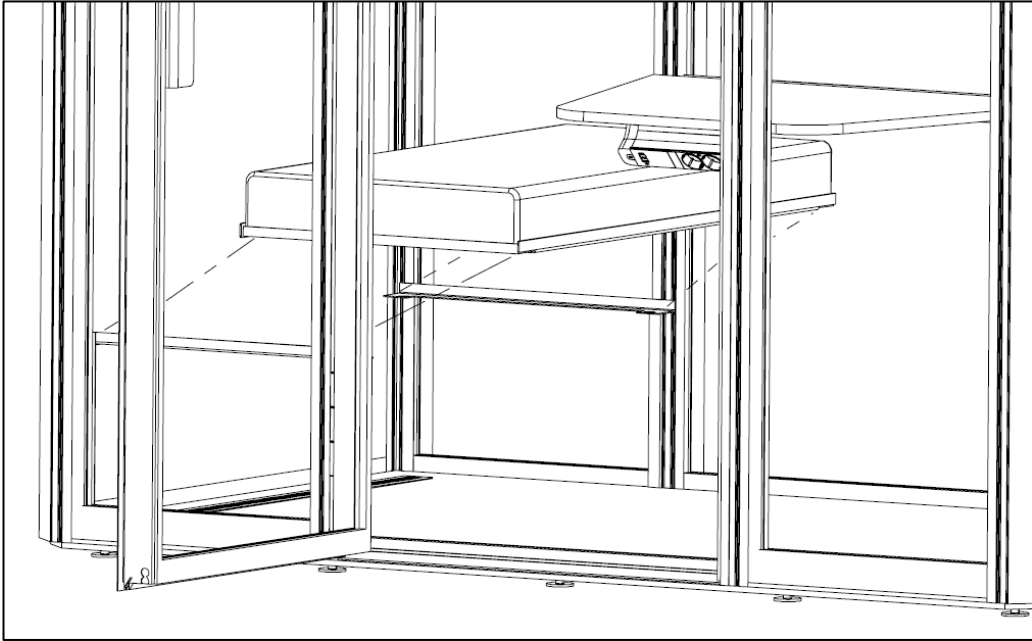
Recommended height - the bottom of the backrest 9 cm from the top of the seat.

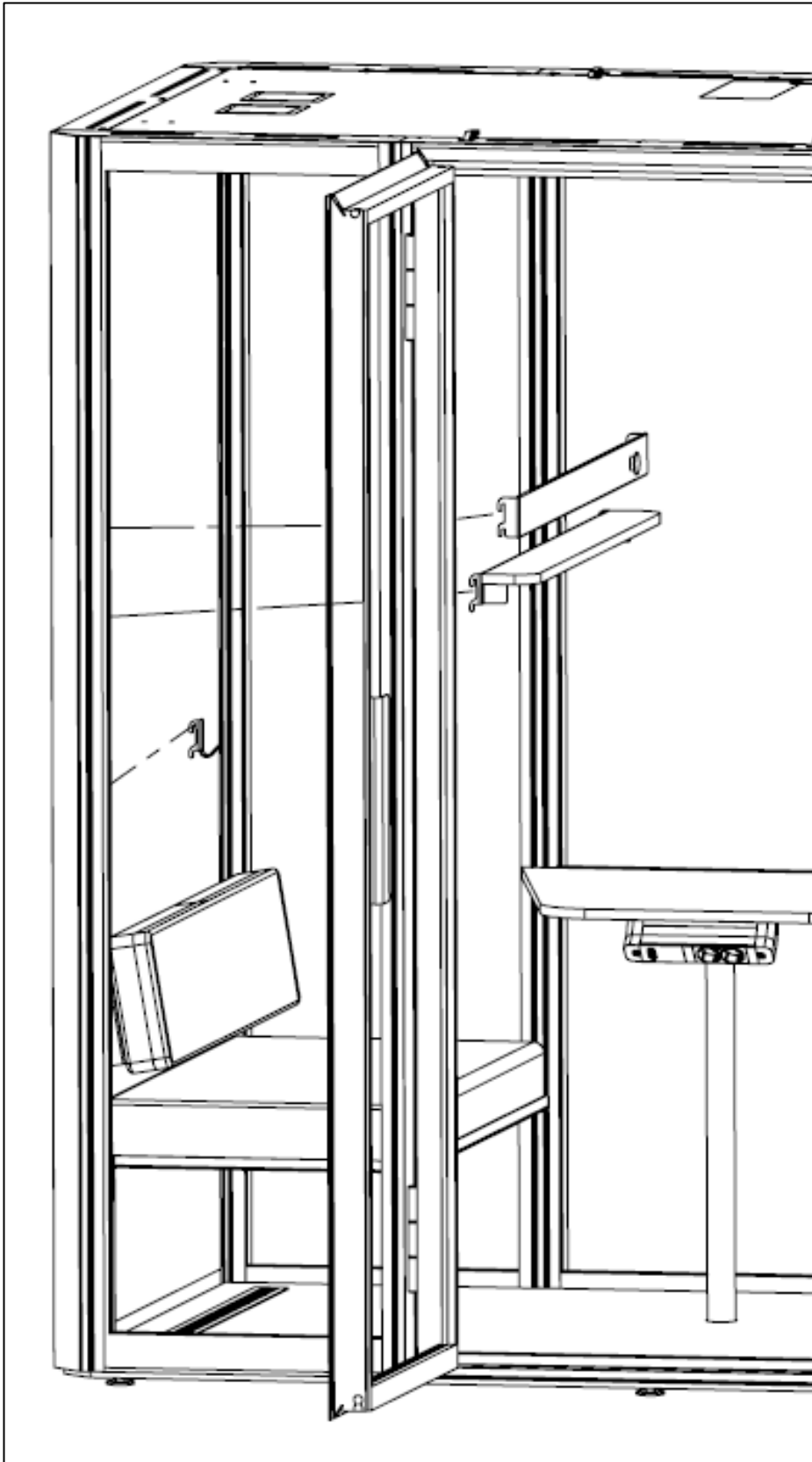
Repeat the above steps with the second sofa.

Then hang the interior equipment - shallow shelf, display bar, wall hooks and magnet.

**NOTE: When hanging the equipment, pay special attention not to scratch or damage the elements of the pod.**













## Optional – assembly of Note set

Fix the Note set elements by hanging the elements on the hooks, mounted to the wall profiles. You can hang the elements on the hooks every 4.5 cm.

### Elements in the kit:

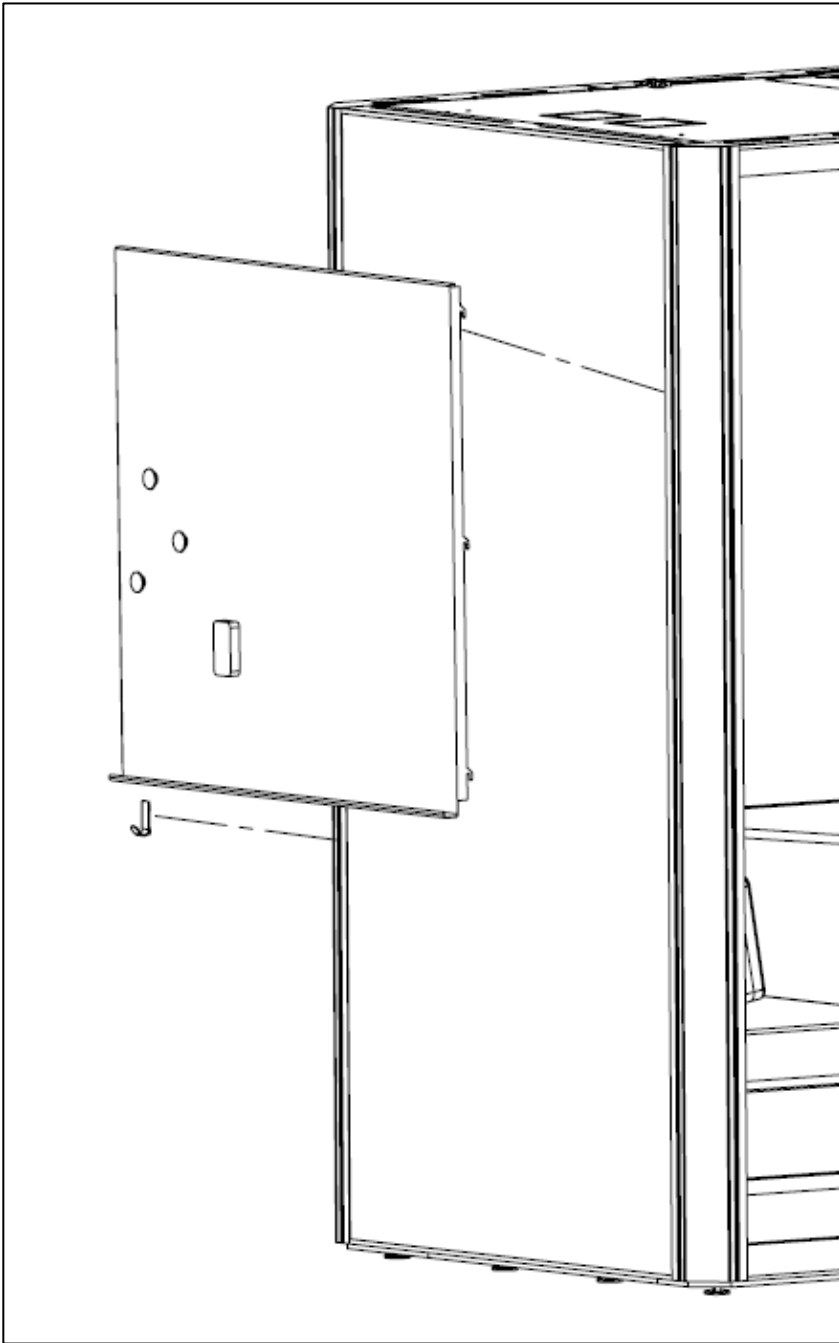
	BOARD – 1 PCS.
	MAGNET – 3 PCS.
	WALL HOOK – 1 PCS.
	ERASER AND MARKER – 1 PCS.

**NOTE:** When hanging the equipment, pay special attention not to scratch or damage the elements of the pod.

**NOTE:** Two people are needed to hang the board.

**Do not sit or stand on the shelves.**

**Pay special attention to the limitation of the maximum permissible load specified for suspended equipment through the hook system built into the structural profiles of the shed. If the permissible load of equipment components is exceeded, the hook system may be damaged.**

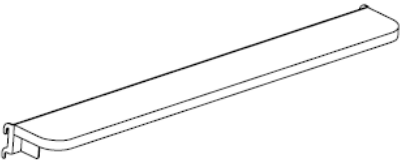
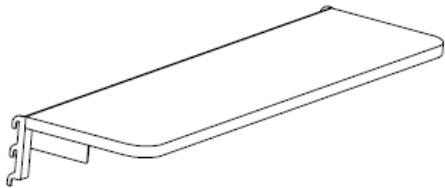
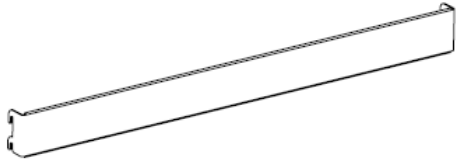






## Opjonalnie – montaż zestawu Library set

Fix the Library set elements by hanging the elements on the hooks, mounted to the wall profiles.

You can hang the elements on the hooks every **4.5 cm**.

### Elements in the kit:

	SHALLOW SHELF – 1 PCS. (MAX LOAD 3 KG)
	DEEP SHELF – 1 PCS. (MAX LOAD 6 KG)
	EXPOSITION TAIL – 1 PCS.
	BOOKEND - 2 PCS.
	STAND – 1 PCS.
	MAGNET – 2 PCS.
	WALL HOOK – 1 PCS.

**NOTE:** When hanging the equipment, pay special attention not to scratch or damage the elements of the pod.

**Do not sit or stand on the shelves.**

**Pay special attention to the limitation of the maximum permissible load specified for suspended equipment through the hook system built into the structural profiles of the shed. If the permissible load of equipment components is exceeded, the hook system may be damaged.**

